

Calipers

An industry standard measuring tool

Long ABSOLUTE Digimatic Caliper 500 Series — with Exclusive ABSOLUTE Encoder Technology

MeasurLink[®] ENABLED
Data Management Software by Mitutoyo

MeasurLink[®] ENABLED
Data Management Software by Mitutoyo

Products equipped with the measurement data output function can be connected to the measurement data network system MeasurLink (refer to page A-5 for details).

ABSOLUTE[™]

(Refer to page X for details.)

- Long Digital caliper incorporating an ABSOLUTE scale and available with a measuring range from 450 mm to 1000 mm.
- Allows step measurement
- Allows integration into statistical process control and measurement systems for models with measurement data output connector. Refer to page A-3.
- For the details of the Absolute scale and its function, refer to page D-8.



500-502-10

500-501-10

500-500-10

SPECIFICATIONS

Metric

Order No.	Range	Depth bar	Fine adjustment	Remarks
500-500-10	0 - 450 mm	—	—	—
500-501-10	0 - 600 mm			
500-502-10	0 - 1000 mm			

* without SPC data output

Inch/Metric

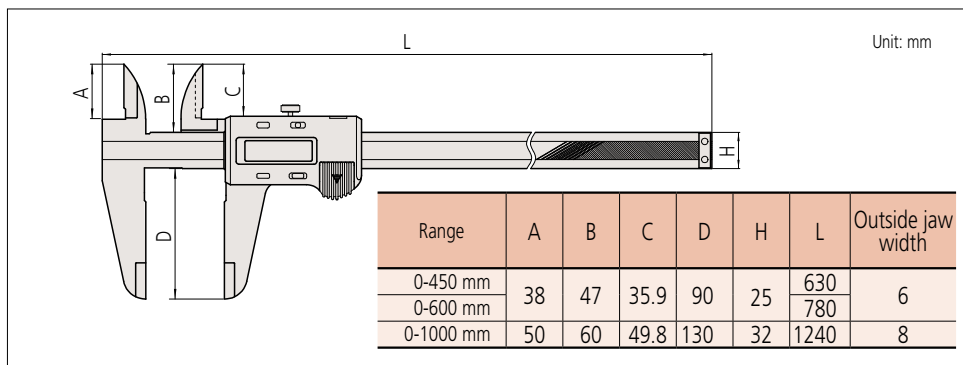
Order No.	Range	Depth bar	Fine adjustment	Remarks
500-505-10	0 - 18 in	—	—	—
500-506-10	0 - 24 in			
500-507-10	0 - 40 in			

* without SPC data output

Technical Data

Accuracy: ± 0.05 mm (≤ 600 mm), ± 0.07 mm (≤ 1000 mm) (excluding quantizing error)
 Resolution: 0.01 mm or 0.0005 in / 0.01 mm
 Repeatability: 0.01 mm
 Display: LCD
 Scale type: ABSOLUTE electrostatic capacity linear encoder
 Max. response speed: Unlimited
 Battery: **SR44** (1 pc), **938882**, for initial operational checks (standard accessory)
 Battery life: Approx. 3.5 years under normal use
 Max. response speed: Unlimited

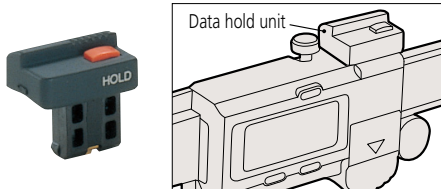
DIMENSIONS



Optional accessories

Dedicated for the models equipped with a digimatic output function. For details, refer to page D-39.

959143: Data hold unit



Connecting cables for IT/DP/MUX*

- 959149: SPC cable with data button (1 m)
- 959150: SPC cable with data button (2 m)



USB Input Tool Direct

- 06AFM380C: SPC cable for USB-ITN-C (2 m)

Connecting cables for U-WAVE-T

- 02AZD790C: SPC cable for U-WAVE with data button (160 mm)
- 02AZE140C: SPC cable for footswitch