

Micrometer

The origin of Mitutoyo's trustworthy brand of small tool instruments

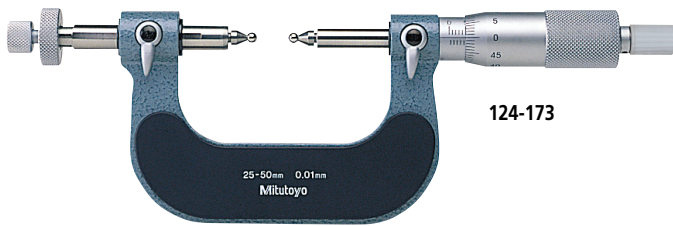
Gear Tooth Micrometers SERIES 324, 124 — Interchangeable Ball Anvil / Spindle Tip Type

MeasurLink[®] ENABLED
Data Management Software by Mitutoyo

- Measures over-pin diameter of gears using precision steel (or carbide) ball anvils / spindle tips.
- Series 324: IP65 Digimatic gear tooth micrometers.
- Determination of the over-pin diameter: refer to "Quick Guide to Precision Measuring Instruments".
- Interchangeable ball anvils / spindle tips for various gear modules (0.5-5.25) are optional.
- Equipped with Ratchet Stop for constant measuring force.
- Ball anvil / spindle tips: optional.



324-251-30



124-173

SPECIFICATIONS

Metric			
Order No.	Range	Resolution	Accuracy*
Digimatic (LCD)			
324-251-30	0 - 25 mm	0.001 mm	±4 μm
324-252-30	25 - 50 mm		
324-253-30	50 - 75 mm		
324-254-30	75 - 100 mm		±5 μm

* Excluding quantizing error of ±1 count

Metric			
Order No.	Range	Graduation	Accuracy
Analog			
124-173	0 - 25 mm	0.01 mm	±4 μm
124-174	25 - 50 mm		
124-175	50 - 75 mm		
124-176	75 - 100 mm		
124-177	100 - 125 mm		
124-178	125 - 150 mm		
124-179	150 - 175 mm		
124-180	175 - 200 mm		
124-181	200 - 225 mm		
124-182	225 - 250 mm		
124-183	250 - 275 mm	±7 μm	
124-195	275 - 300 mm		

Inch/Metric			
Order No.	Range	Resolution	Accuracy*
Digimatic (LCD)			
324-351-30	0 - 1 in	0.00005 in/ 0.001 mm	±0.0002 in
324-352-30	1 - 2 in		
324-353-30	2 - 3 in		
324-354-30	3 - 4 in		±0.00025 in

* Excluding quantizing error of ±1 count

MeasurLink[®] ENABLED
Data Management Software by Mitutoyo

Products equipped with the measurement data output function can be connected to the measurement data network system MeasurLink (refer to page A-5 for details).



These marks indicate that a product has successfully passed IP65-level testing, which is carried out by the independent German certification organization TÜV Rheinland.



IP Codes (series 324)

Level 6: Dust-proof.

No ingress of dust allowed.

Level 5: Protected against water jets.

Water projected in jets against the enclosure from any direction shall have no harmful effects.



Optional Accessories

- Interchangeable ball anvil / spindle tip set

Order No.	Diameter* (mm)	Gear module	Dia. pitch
124-801	0.8	0.5 - 0.55	50
124-802	1.0	0.6 - 0.65	45
124-803	1.191 (³ / ₆₄ "	0.7 - 0.8	35 - 30
124-821	1.5	0.9 - 1	28 - 26
124-804	1.588 (¹ / ₁₆ "	0.9 - 1	28 - 26
124-805	2.0	1.25	22
124-806	2.381 (³ / ₃₂ "	1.5	17
124-822	2.5	1.5	17
124-807	3.0	1.75	15
124-808	3.175 (¹ / ₈ "	—	14
124-823	3.5	2	13
124-809	3.969 (⁵ / ₃₂ "	2	13
124-810	4.0	2.25	11
124-824	4.5	2.5	10
124-811	4.763 (³ / ₁₆ "	2.5	10
124-812	5.0	2.75	9
124-813	5.556 (⁷ / ₃₂ "	3.0 - 3.25	8
124-814	6.0	3.5	7
124-815	6.35 (¹ / ₄ "	3.75	7
124-816	7.0	4.0	6.5
124-817	7.144 (⁹ / ₃₂ "	4.25	6
124-818	7.938 (⁵ / ₁₆ "	4.5	5.5
124-819	8.0	4.75	5.5
124-820	8.731 (¹¹ / ₃₂ "	5.0 - 5.25	5

* 2 mm less for/ carbide-tipped type

Battery for Series 324

SR44 (1 pc), **938882**, for initial operational checks (standard accessory)
Battery life: Approx. 2.4 years under normal use (for series 324)
Length standard: Electromagnetic rotary sensor (for series 324)
Standard accessories: Reference bar, 1 pc (except for measuring range 0-25 mm (0-1 in) models)
Spanner (301336), 1 pc

Optional Accessories for Series 324

Connecting cables for **series 324**

1 m: **05CZA662**

2 m: **05CZA663**

USB Input Tool Direct

USB-ITN-B (2 m): **06AFM380B**

Wireless data output **U-WAVE[™] fir**

U-WAVE-TM **264-622** (IP67 type)

264-623 (Buzzer type)

Connecting unit for U-WAVE-TM

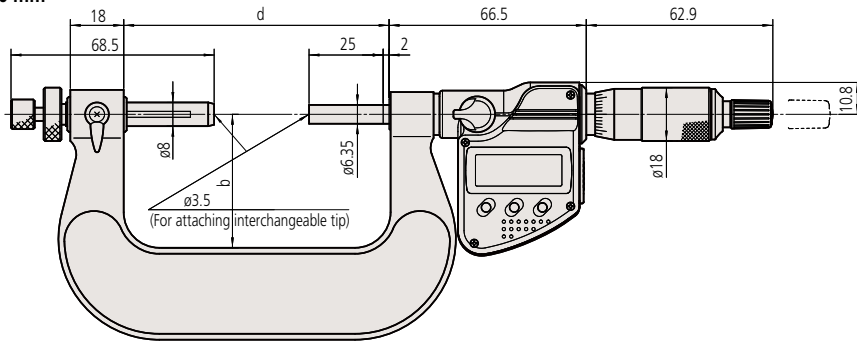
02AZF310 (IP67 type)

Refer to page A-15 for details

DIMENSIONS

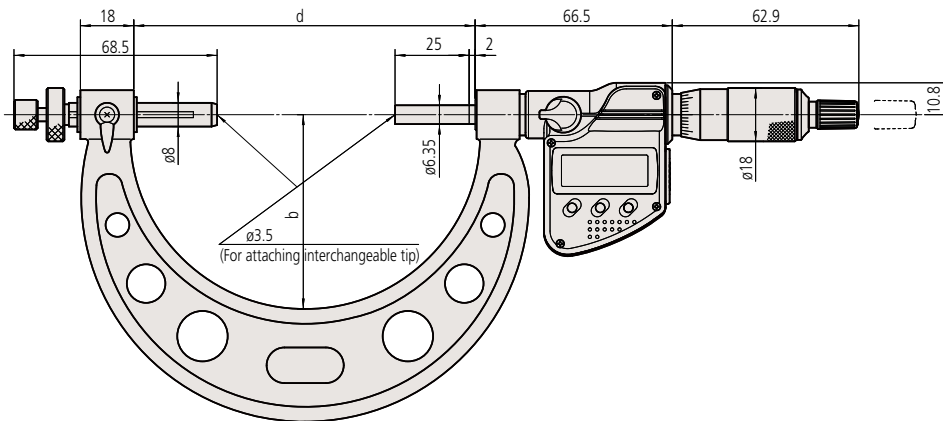
Unit: mm

Digital models up to 50 mm



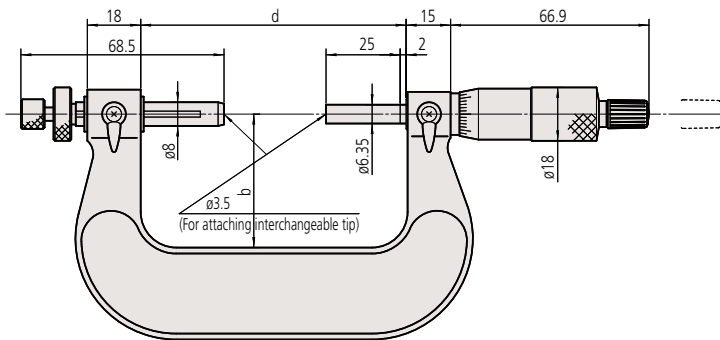
Range	b	d
0 - 25 mm	32	64
25 - 50 mm	45	89.5

Digital models over 50 mm up to 100 mm



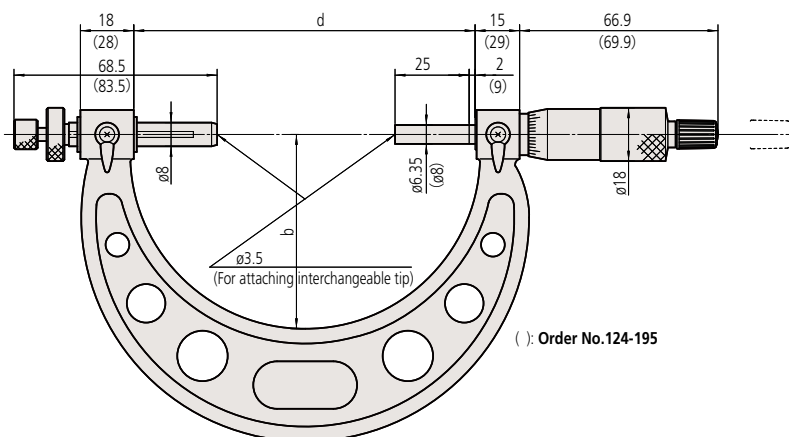
Range	b	d
50 - 75 mm	65	115.1
75 - 100 mm	79	140.1

Analog models up to 50 mm



Range	b	d
0 - 25 mm	32	64
25 - 50 mm	45	89.5

Analog models over 50 mm up to 300 mm



() Order No.124-195

Range	b	d
50 - 75 mm	65	115.1
75 - 100 mm	79	140.1
100 - 125 mm	93	165.1
125 - 150 mm	105	190
150 - 175 mm	118	214
175 - 200 mm	131	240
200 - 225 mm	144	265
225 - 250 mm	156	290
250 - 275 mm	169	314
275 - 300 mm	187	352