

Micrometer

The origin of Mitutoyo's trustworthy brand of small tool instruments

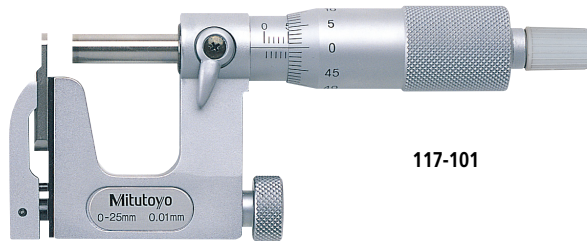
"Uni-Mike" Series 317, 117 — Interchangeable Anvil Type

MeasurLink[®] ENABLED
Data Management Software by Mitutoyo

- Measures tubing thickness, shoulder-edge distance, rivet head height, etc., with interchangeable anvils (flat anvil, rod anvil, V-anvil).
- IP65 water/dust protection (series 317).
- Equipped with Ratchet Stop for constant measuring force.



317-251-30



117-101

SPECIFICATIONS

Metric			
Order No.	Range	Resolution	Accuracy*
Digimatic (LCD)			
317-251-30	0 - 25 mm	0.001 mm	±4 μm
317-252-30	25 - 50 mm		

* Excluding quantizing error of ±1 count

Metric			
Order No.	Range	Graduation	Accuracy
Analog			
117-101	0 - 25 mm	0.01 mm	±4 μm
117-102	25 - 50 mm		

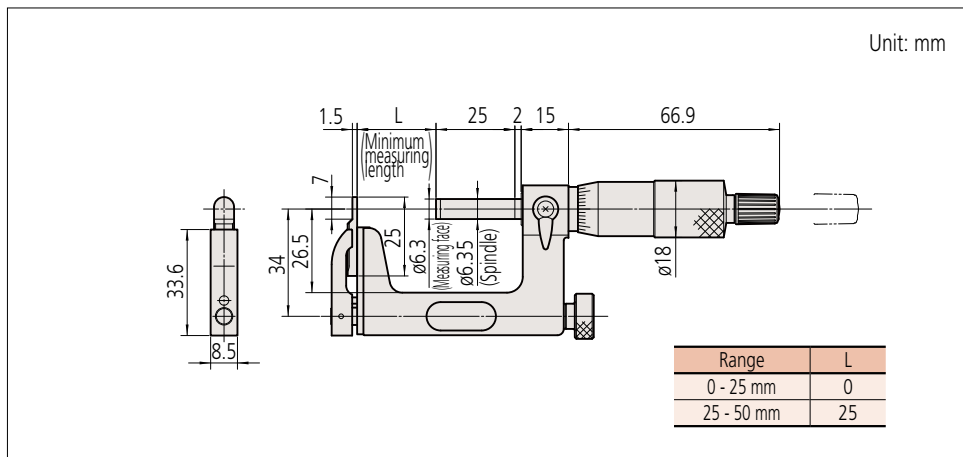
Inch/Metric			
Order No.	Range	Resolution	Accuracy*
Digimatic (LCD)			
317-351-30	0 - 1 in	0.00005 in / 0.001 mm	±0.0002 in
317-352-30	1 - 2 in		

* Excluding quantizing error of ±1 count

Inch			
Order No.	Range	Graduation	Accuracy
Analog			
117-107	0 - 1 in	0.0001 in	±0.0002 in
117-108	1 - 2 in		

Note: For the **series 317** functions, refer to page B-8.
Also, other than the waterproof type only the connection cable (option) cannot be used.

DIMENSIONS



MeasurLink[®] ENABLED
Data Management Software by Mitutoyo

Products equipped with the measurement data output function can be connected to the measurement data network system MeasurLink (refer to page A-5 for details).



These marks indicate that a product has successfully passed IP65-level testing, which is carried out by the independent German certification organization TÜV Rheinland.



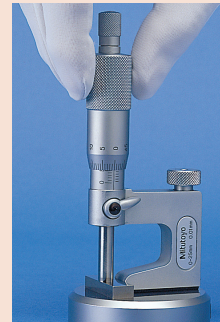
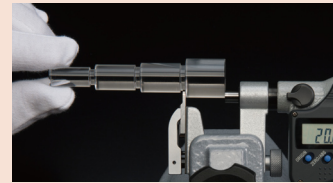
(Refer to page X for details.)

IP Codes (series 317)

- Level 6: Dust-proof.
No ingress of dust allowed.
- Level 5: Protected against water jets.
Water projected in jets against the enclosure from any direction shall have no harmful effects.

Technical Data

Flatness: Spindle face 0.6 μm / 0.000024 in
Anvil face 2 μm / 0.00008 in
Parallelism: 3 μm / 0.00012 in



Battery for Series 317

SR44 (1 pc), **938882**, for initial operational checks (standard accessory)

Battery life: Approx. 2.4 years under normal use (for series 317)

Length standard: Electromagnetic rotary sensor (for series 317)

Standard accessories: Reference bar, 1 pc (except for measuring range 0-25 mm (0-1 in) models)

Spanner (200877), 1 pc (for series 117-XXX)
Spanner (301336), 1 pc (for series 317-XXX)

Optional Accessories

Connecting cables (**series 317**)

1 m: **05CZA662**

2 m: **05CZA663**

USB Input Tool Direct

USB-ITN-B (2 m): **06AFM380B**

Wireless data output **U-WAVE[™] III**

U-WAVE-TM 264-622 (IP67 type)

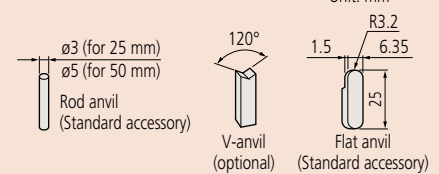
264-623 (Buzzer type)

Connecting unit for U-WAVE-TM

02AZF310 (IP67 type)

Refer to page A-15 for details

Accessories



Order No.	Item
201216	Flat anvil (standard accessory)
201217	Rod anvil (standard accessory for 117-101/117-107/317-251-30/317-351-30)
201379	Rod anvil (standard accessory for 117-102/117-108/317-252-30/317-352-30)
201218	V-anvil (optional)
950758	Base for 25 mm (optional)