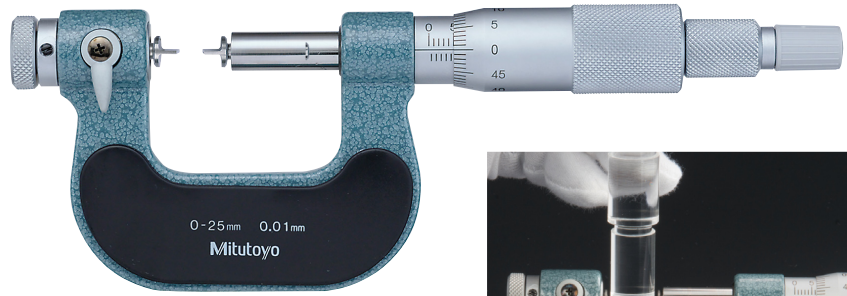


Technical Data

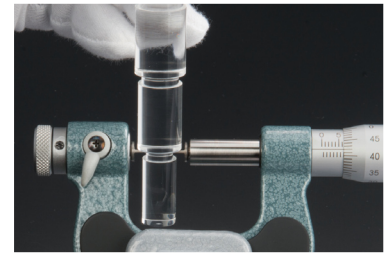
Standard accessories: Spanner (301336), 1 pc

Universal Micrometer SERIES 116 — Interchangeable Anvil Type

- Non-rotating spindle type which accepts seven forms of optional interchangeable anvil / spindle tip (flat, spline, spherical, point, knife-edge, disk, and blade) for a wide range of applications.
- Equipped with Ratchet Stop for constant measuring force.
- Optional anvils / spindle tips for screw thread measurement (matching V and cone) are also available.



116-101



SPECIFICATIONS

Metric

Order No.	Range	Graduation	Accuracy
116-101	0 - 25 mm	0.01 mm	±4 μm
116-102*1	25 - 50 mm		

*1 116-102 is provided with a plain setting standard (167-101) and a 60°-thread setting standard (167-261) for adjusting the minimum range point according to the application.

Inch

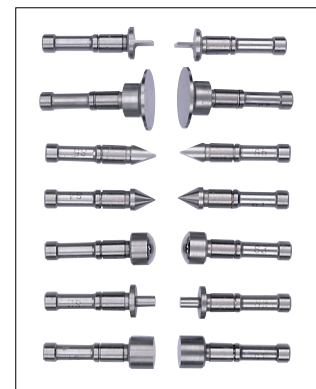
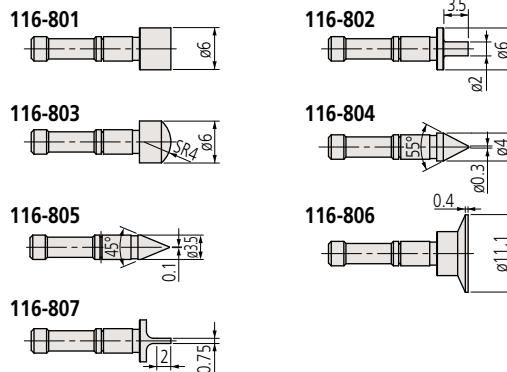
Order No.	Range	Graduation	Accuracy
116-105	0 - 1 in	0.001 in	±0.0002 in
116-106*2	1 - 2 in		

*2 116-106 is provided with a plain setting standard (167-141) and a 60°-thread setting standard (167-294) for adjusting the minimum range point according to the application.

Order No.	Description
116-801	Flat
116-802	Spline
116-803	Spherical
116-804	Point
116-805	Knife-edge
116-806	Disk
116-807	Blade
116-800	Anvils / spindle tips set (7 pairs) (116-801 - 116-807 Set)

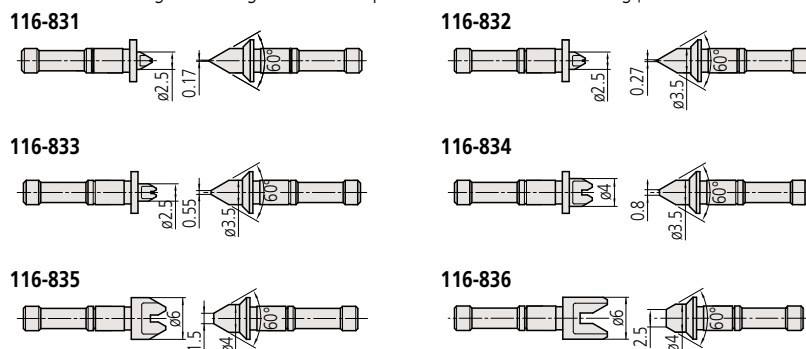
Optional Accessories

- Interchangeable anvils / spindle tips are available in matching pairs.



Interchangeable contact points (optional)

- Thread-measuring interchangeable contact points are available in matching pairs.



Order No.	Set Identifier	Range of measurement (mm)
116-831	0.4 - 0.5 mm/64 - 48TPI	
116-832	0.6 - 0.9 mm/44 - 28TPI	
116-833	1 - 1.75 mm/24 - 14TPI	
116-834	2 - 3 mm/13 - 9TPI	
116-835	3.5 - 5 mm/8 - 5TPI	
116-836	5.5 - 7 mm/4.5 - 3.5TPI	
116-830	116-831 - 116-836 M (U) Set	

* The shape differs from the interchangeable contact point of TMC.