

Micrometer

The origin of Mitutoyo's trustworthy brand of small tool instruments

Outside Micrometers SERIES 406 — Non-Rotating Spindle Type

MeasurLink[®] ENABLED
Data Management Software by Mitutoyo

- Non-rotating spindle.
- Measuring face of the spindle is carbide tipped.
- Spindle $\phi 6.35$
- Equipped with Ratchet Stop for constant measuring force.



406-250-30

Metric

Order No.	Range	Resolution	Accuracy*	Flatness	Parallelism
406-250-30	0 - 25 mm	0.001 mm	$\pm 3 \mu\text{m}$	0.3 μm	3 μm
406-251-30	25 - 50 mm				
406-252-30	50 - 75 mm		$\pm 4 \mu\text{m}$		
406-253-30	75 - 100 mm				4 μm

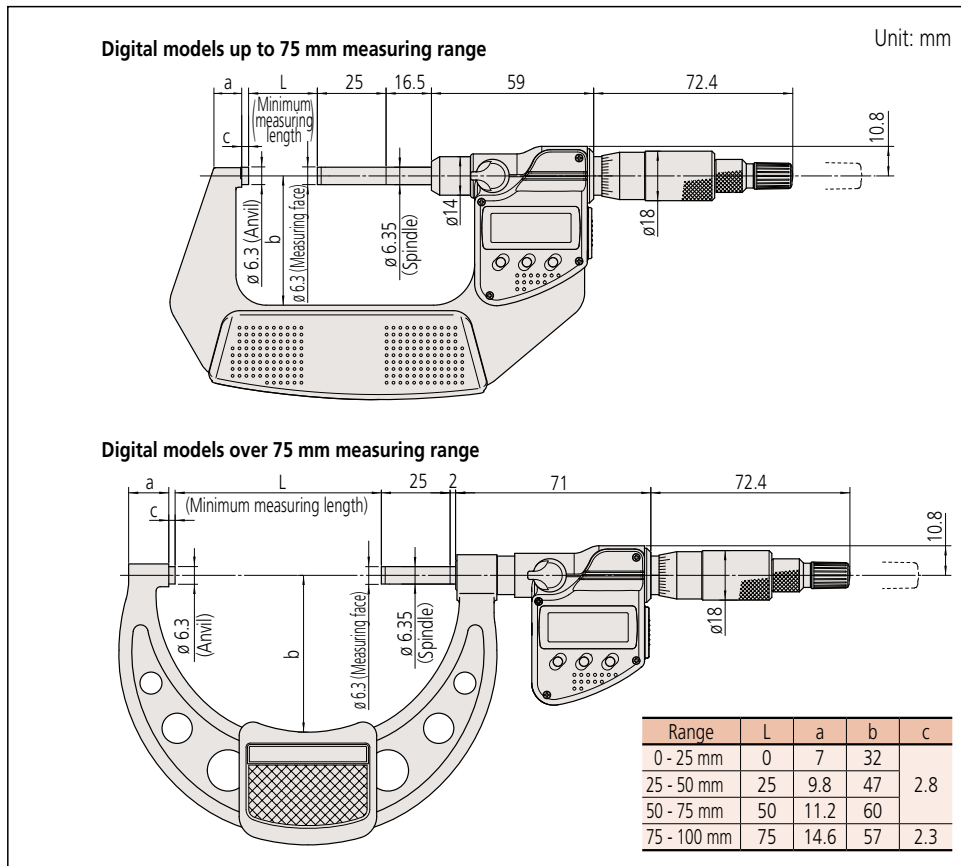
* Excluding quantizing error of ± 1 count

Inch/Metric

Order No.	Range	Resolution	Accuracy*	Flatness	Parallelism
406-350-30	0 - 1 in	0.00005 in/ 0.001 mm	± 0.00015 in	0.000012 in	0.00012 in
406-351-30	1 - 2 in				
406-352-30	2 - 3 in		± 0.0002 in		
406-353-30	3 - 4 in				0.00016 in

* Excluding quantizing error of ± 1 count

DIMENSIONS



MeasurLink[®] ENABLED
Data Management Software by Mitutoyo

Products equipped with the measurement data output function can be connected to the measurement data network system MeasurLink (refer to page A-5 for details).

Technical Data

Battery: **SR44** (1 pc), **938882**, for initial operational checks (standard accessory)
 Battery life: Approx. 2.4 years under normal use
 Length standard: Electromagnetic rotary sensor
 Standard accessories: Reference bar, 1 pc (except for measuring range 0-25 mm (0-1 in) models)
 Spanner (301336), 1 pc

Optional Accessories

Connecting cables
 1 m: **05CZA662**
 2 m: **05CZA663**
USB Input Tool Direct
USB-ITN-B (2 m): **06AFM380B**
 Wireless data output **U-WAVE**
 U-WAVE-TM **264-622** (IP67 type)
264-623 (Buzzer type)
 Connecting unit for U-WAVE-TM
02AZF310 (IP67 type)
 Refer to page A-15 for details

