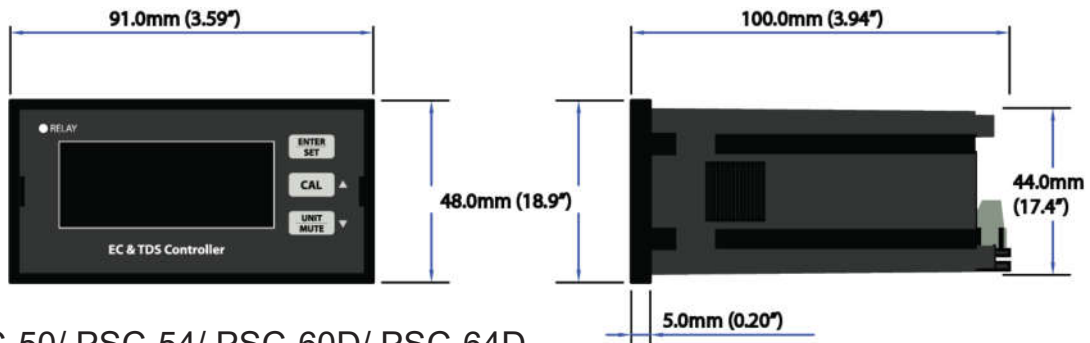
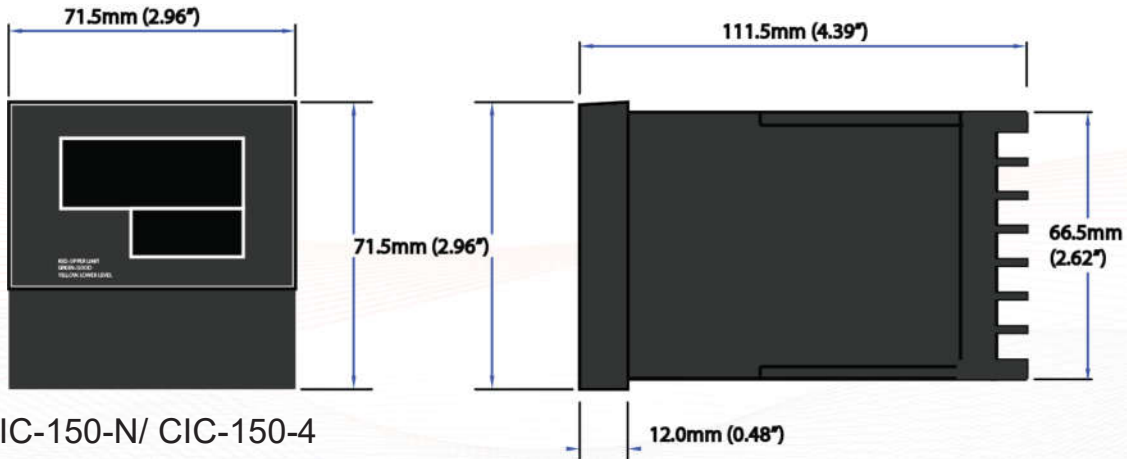


# CONTROLLERS



FOR: PSC-50/ PSC-54/ PSC-60D/ PSC-64D



FOR : CIC-150-N/ CIC-150-4  
CIC-152-N/ CIC-152-4 / PPH-1000  
PSC-150/ PSC-154



## PSC-50 / PSC-54

RANGE TDS: 0-9999 ppm  
0-10 ppt  
EC: 0-9999 µS  
0-20 mS

ACCURACY ± 2%

RESOLUTION 0.1 (0-99.9)  
1 (100-9999)  
0.01 (mS/ ppt)

ATC YES (1-65°C/33-149°F)

CALIBRATION Digital

OUTPUT SINGAL 4-20mA (PSC-54 ONLY)

SENSOR 1/2" NPTF, 3m shielded

POWER AC 110V / 220V

SIZE 9.6 x 4.8 x 10 cm  
(3.8 x 1.9 x 3.9 in)



## PSC-60D / PSC-64D

RANGE TDS: 0-9999 ppm  
0-10 ppt  
EC: 0-9999 µS  
0-20 mS

ACCURACY ± 2%

RESOLUTION 0.1 (0-99.9)  
1 (100-9999)  
0.01 (mS/ ppt)

ATC YES (1-65°C/33-149°F)

CALIBRATION Digital

OUTPUT SINGAL 4-20mA (PSC-64 ONLY)

SENSOR 1/2" NPTF, 3m shielded

POWER AC 110V / 220V

SIZE 9.6 x 4.8 x 10 cm  
(3.8 x 1.9 x 3.9 in)



## PSC-150

RANGE	0-9999 ppm 0-9999 $\mu$ S
ACCURACY	$\pm$ 2%
RESOLUTION	0.1(0-999 ppm/ $\mu$ S) 1(1000-9999 ppm/ $\mu$ S)
ATC	YES (1-65°C/33-149°F)
CALIBRATION	Digital
RELAY	Simple Switch, Programmable
ALARM	Programmable
SENSOR	1/2" NPTF, 3m shielded
POWER	AC 110V / 220V
SIZE	7.2 x 7.2 x 10.2 cm (2.8 x 2.8 x 4.0 in)



## PSC-154

RANGE	0-9999 ppm 0-9999 $\mu$ S
ACCURACY	$\pm$ 2%
RESOLUTION	0.1(0-999 ppm/ $\mu$ S) 1(1000-9999 ppm/ $\mu$ S)
ATC	YES (1-65°C/33-149°F)
CALIBRATION	Digital
OUTPUT SINGAL	4-20mA (PSC-154 ONLY)
RELAY	Simple Switch, Programmable
ALARM	Programmable
SENSOR	1/2" NPTF, 3m shielded
POWER	AC 110V / 220V
SIZE	7.2 x 7.2 x 10.2 cm (2.8 x 2.8 x 4.0 in)



## CIC-150-N / CIC-150-4

RANGE	0-5000 ppm NaCl 0-8500 ppm 442 0-9999 $\mu$ S
ACCURACY	$\pm$ 2%
RESOLUTION	0.1(0-999 ppm/ $\mu$ S) 1(1000-8500 ppm/ $\mu$ S)
ATC	YES (1-65°C/33-149°F)
CALIBRATION	Digital
RELAY	Two, upper and lower limit
ALARM	Two independent alarms (max. and min)
SENSOR	1/2" NPTF, 3m shielded
POWER	AC 110V / 220V
SIZE	7.2 x 7.2 x 10.2 cm (2.8 x 2.8 x 4.0 in)



## CIC-152-N / CIC-152-4

RANGE	0-5000 ppm NaCl 0-8500 ppm 442 0-9999 $\mu$ S
ACCURACY	$\pm$ 2%
RESOLUTION	0.1(0-999 ppm/ $\mu$ S) 1(1000-8500 ppm/ $\mu$ S)
ATC	YES (1-65°C/33-149°F)
CALIBRATION	Digital
RELAY	Two, upper and lower limit
ALARM	Two independent alarms (max. and min)
SENSOR	1/2" NPTF, 3m shielded
POWER	AC 110V / 220V
SIZE	7.2 x 7.2 x 10.2 cm (2.8 x 2.8 x 4.0 in)



## PS-202

RANGE	0-999 ppm (mg/L)
ACCURACY	$\pm$ 2%
RESOLUTION	1 ppm
ATC	YES (1-65°C/33-149°F)
CALIBRATION	Analog
RELAY	Simple Switch, Programmable
ALARM	Programmable
SENSOR	1/2" NPTF, 3m shielded
POWER	AC 110V / 220V
SIZE	9.4 x 9.4 x 12.5 cm (3.7 x 3.7 x 4.5 in)



## PPH-1000

RANGE	0.01 – 14.00 pH
ACCURACY	$\pm$ 0.1pH
RESOLUTION	0.01 pH / 0.1°C (0.1°F)
ATC	YES (1-65°C/33-149°F)
CALIBRATION	Digital
RELAY	Two, upper and lower limit
ALARM	Programmable
SENSOR	3/4" Electrode 3m shielded
POWER	AC 110V / 220V
SIZE	7.2 x 7.2 x 11.1 cm (2.8 x 2.8 x 4.4 in)