

ABSOLUTE™ (Refer to page X for details.)

Technical Data

- Display: 5-digit LCD, sign
- Battery: SR44 (1 pc.), **938882** for initial operational checks (standard accessory)
- Battery life: Approx. 20,000 hours of continuous use. Approx. 5 years under normal use.
- Lifting lever: **137693**

Function

- Origin set (Zero-setting)
- Direction switching
- Data output
- Low battery voltage alarm display
- Error alarm display

Optional Accessories

- Spindle lifting cable (stroke: 10 mm) : **540774**
- SPC Cable:
 - 905338** (1 m)
 - 905409** (2 m)
- USB Input Tool Direct (2 m) : **06AFM380F**
- *Please separately purchase **USB-ITPAK** since there is no data output switch on the measurement instrument. Refer to pages A-13, A-20 to A-22 for details.
- Input Tool Series
 - IT-016U (USB Keyboard Signal Conversion Type) : **264-016-10**
 - IT-007R (RS-232C Communication Conversion Type) : **264-007**
 Refer to page F-60 for details.
- Connecting Cables for U-WAVE-T (160 mm): **02AZD790F**
For footswitch : **02AZE140F**
Refer to page F-60 for details.
- Digimatic Mini-Processor DP-1VA LOGGER: **264-505**
- Contact points for Mitutoyo's dial indicators (Refer to pages F-51 to F-54 for details.)
- Measuring stands (Refer to pages F-78 to F-85 for details.)

ABSOLUTE Digimatic Indicator ID-U SERIES 575 — Slim and Economical Design

- General purpose indicator with the measuring range of 25.4 mm / 1 inch.
- Cost-effective and user-friendly type which is equipped with only the basic functions necessary.
- The ABS (absolute) scale restores the last origin position automatically when the indicator is turned on, and realizes high reliability by eliminating over-speed errors. Regarding origin setting, refer to "Origin Setting of Digimatic Indicators" on page F-18.
- Battery life of 20,000 hours in continuous use has been achieved.
- Easy-to-read large LCD readout with a character height of 8 mm.
- Equipped with a data output port that enables incorporation into measurement networking and statistical process control systems (refer to page A-3).

General-purpose type



575-121

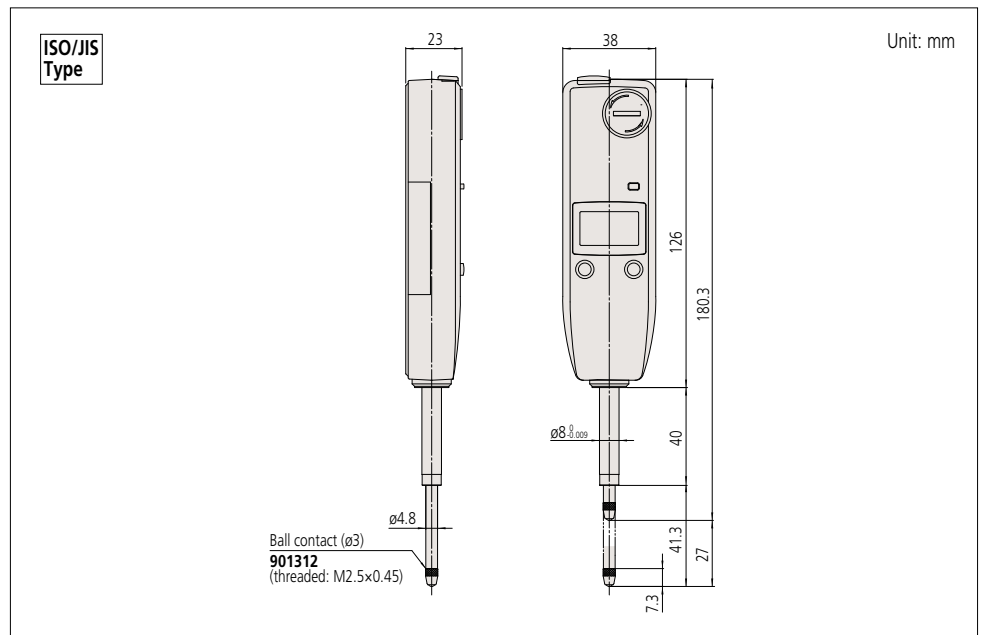
SPECIFICATIONS

Metric		ISO/JIS type		ASME/ANSI/AGD type	
Order No. (w/ lug, flat-back)	Range	Resolution	Accuracy*	Measuring force	
—	575-121	25.4 mm	0.01 mm	0.02 mm	1.8 N or less

Inch/Metric		ISO/JIS type		ASME/ANSI/AGD type	
Order No. (w/ lug, flat-back)	Range	Resolution	Accuracy*	Measuring force	
—	575-122	1 in / 25.4 mm	0.0005 in / 0.01 mm	0.001 in / 0.02 mm	1.8 N or less
—	575-123				

*Quantizing error of ±1 count is excluded

DIMENSIONS



Note 1: Dimensions of the inch (ANSI/AGD Type) dial indicator partly differ from those of the metric (ISO/JIS Type) indicator.
Note 2: Inch (ANSI/AGD Type) dial indicators are provided with a stem of 3/8 inch dia. and #4-48UNF thread mount for the contact point.