

Height Gage

A standard measuring tool of industry

ABSOLUTE Digimatic Height Gage SERIES 570 — Standard model

MeasurLink ENABLED

Data Management Software by Mitutoyo



570-227

- ABS and INC measurement modes allow efficient operation.
- Rigid structure makes instrument suitable for use in severe work environments.
- The +/- measurement function widens the application range.
- Allows integration into statistical process control and measurement systems. Refer to page A-3.
- Battery: **SR44** (1 pc), **938882**. For initial operational checks (standard accessory)
- Battery life is 5,000 hours under normal use.
- Carbide-tipped scriber (**900173** for **570-227** and **244**, and **905200** for **570-230** and **248**) is provided as a standard accessory. (Standard accessory: scriber clamp **901338** for **570-227** and **244**, and **05GZA033** for **570-230** and **248**)
- When a dial indicator or test indicator is used with **570-227**, the dedicated holding bar (**953639**, overall length 50 mm) is recommended for use. However, instrumental error may be larger because the measurement point is further from the beam.
- For precision Black Granite Surface Plates, refer to page E-49.

SPECIFICATIONS

Metric

Order No.	Range	Resolution	Fine feed	Accuracy*	Repeatability	Height	Mass
570-227	0 - 200 mm	0.01 mm	4 mm	±0.03 mm	0.01 mm	355 mm	1.4 kg
570-230	0 - 1000 mm		6 mm	±0.07 mm		1260 mm	16.8 kg

* Excluding quantizing error of ±1 count

Inch/Metric

Order No.	Range	Resolution	Fine feed	Accuracy*	Repeatability	Height	Mass
570-244	0 - 8 in	0.0005 in / 0.01 mm	0.16 in	±0.002 in	0.01 mm	355 mm	1.4 kg
570-248	0 - 40 in		0.24 in	±0.003 in		1260 mm	16.8 kg

* Excluding quantizing error of ±1 count

MeasurLink ENABLED

Data Management Software by Mitutoyo

Products equipped with the measurement data output function can be connected to the measurement data network system MeasurLink (refer to page A-5 for details).

ABSOLUTE™

(Refer to page X for details.)

Functions

- Zero-setting
- +/- directional measurement
- Data hold
- Data output
- Presetting
- inch/mm reading (inch/mm models)
- Preset value memory
- Origin restoration
- Low battery voltage alert
- Counting value composition error alert

Optional accessories

For details, refer to page D-39.

Connecting cables for IT/DP/MUX

905338: SPC cable with data button (1 m)

905409: SPC cable with data button (2 m)

USB Input Tool Direct

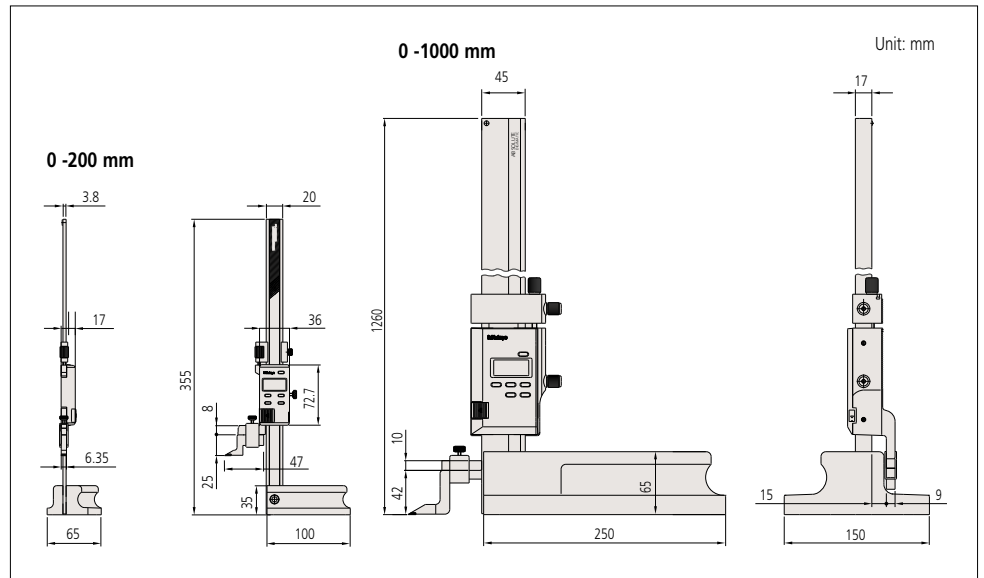
06AFM380F: SPC cable for **USB-ITN-F** (2 m)

Connecting cables for **U-WAVE-T**

02AZD790F: SPC cable for **U-WAVE** with data button (160 mm)

02AZE140F: SPC cable for footswitch

DIMENSIONS



D