

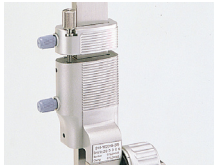
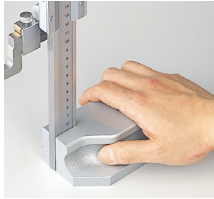
# Height Gage

A standard measuring tool of industry

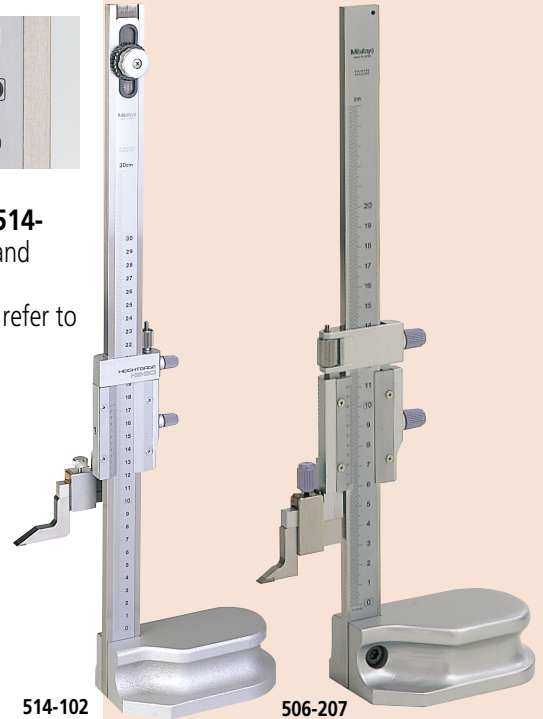
## Vernier Height Gage

### SERIES 514, 506 — Standard Height Gage with Adjustable Main Scale

- Fits comfortably in the hand and moves easily on the surface plate.
- The main scale slides and clamps within the column for quick and convenient zero-setting.
- Large locking knobs are used both for the slider and fine adjustment clamps to make clamping easy and secure.
- Operability of slider has been improved.
- Large main-scale engraving for fatigue-free working.



- Carbide-tipped scribe (**07GZA000** for **514-102/104/106/103/105/107, 905200** for **514-108** and **109**, and **900390** for **514-170**) is provided as a standard accessory. (Scriber clamp **05GZA033** for **514-102/104/106/108/103/105/107/109**, and **905008** for **514-170**)
- For precision Black Granite Surface Plates, refer to page E-49.



## SPECIFICATIONS

| Metric         |             |                 |          |                  |           |         |        |                |
|----------------|-------------|-----------------|----------|------------------|-----------|---------|--------|----------------|
| Order No.      | Range       | Minimum reading | Accuracy | Scale adjustment | Fine feed | Height  | Mass   | Remarks        |
| <b>506-207</b> | 0 - 200 mm  | 0.02 mm         | ±0.03 mm | —                | 4 mm      | 341 mm  | 1.4 kg | —              |
| <b>514-102</b> | 0 - 300 mm  |                 | ±0.04 mm | 15 mm            |           | 525 mm  | 3.1 kg | —              |
| <b>514-104</b> | 0 - 450 mm  |                 | ±0.05 mm |                  | 675 mm    | 3.4 kg  | —      |                |
| <b>514-106</b> | 0 - 600 mm  |                 | ±0.07 mm | 870 mm           | 7.4 kg    | —       |        |                |
| <b>514-108</b> | 0 - 1000 mm | 0.05 mm         | ±0.07 mm | 25 mm            | 6 mm      | 1340 mm | 20 kg  | —              |
| <b>514-170</b> | 0 - 1500 mm |                 | ±0.18 mm |                  | 20 mm     | 1760 mm | 26 kg  | with magnifier |

| Inch/Metric    |           |                    |           |                  |           |         |         |         |
|----------------|-----------|--------------------|-----------|------------------|-----------|---------|---------|---------|
| Order No.      | Range     | Minimum reading    | Accuracy  | Scale adjustment | Fine feed | Height  | Mass    | Remarks |
| <b>506-208</b> | 0 - 8 in  | 0.001 in / 0.02 mm | ±0.001 in | —                | 0.16 in   | 341 mm  | 1.4 kg  | —       |
| <b>514-103</b> | 0 - 12 in |                    | ±0.002 in | 0.6 in           |           | 525 mm  | 3.1 kg  | —       |
| <b>514-105</b> | 0 - 18 in |                    | ±0.002 in |                  | 675 mm    | 3.4 kg  | —       |         |
| <b>514-107</b> | 0 - 24 in |                    | ±0.003 in | 870 mm           | 7.4 kg    | —       |         |         |
| <b>514-109</b> | 0 - 40 in | —                  | —         | 1 in             | 0.24 in   | 1340 mm | 20.0 kg | —       |

## DIMENSIONS

