

### Technical Data

Range: -360° to +360°  
 Accuracy: ±2' (±0.03°)  
 Repeatability: 1'  
 Resolution: 1' (0.01°)  
 Battery: Lithium Battery  
 Battery life: 2,000 hours

### Function

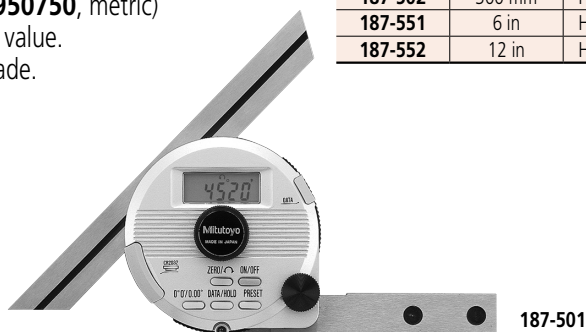
Presetting

## Digimatic Universal Protractor SERIES 187

- Data output function makes it easy to gather statistical data.
- Can be attached to height gages using a gage holder (950750, metric)
- Setting preset value.
- Removable blade.

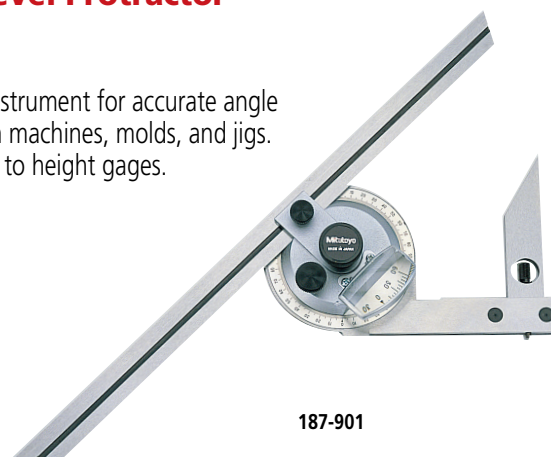
### SPECIFICATIONS

Order No.	Blade length	Remarks (standard accessory)
187-501	150 mm	Height gage holder (950750)
187-502	300 mm	Height gage holder (950750)
187-551	6 in	Height gage holder (950749)
187-552	12 in	Height gage holder (950749)



## Universal Bevel Protractor SERIES 187

- High-precision instrument for accurate angle measurement on machines, molds, and jigs.
- Can be attached to height gages.
- Graduation: 5'



### SPECIFICATIONS

Metric		
Order No.	Blade length	Remarks
187-901	150, 300 mm	w/60°, 45°, 30° edges
187-907	150 mm	w/60°, 45° edges
187-908	300 mm	w/60°, 45° edges

Inch		
Order No.	Blade length	Remarks
187-902	6 in, 12 in	w/60°, 45°, 30° edges
187-904	6 in	w/60°, 45° edges
187-906	12 in	w/60°, 45° edges

### Technical Data

Range: 90° × 4 (360°)  
 Graduation: 5 min. (0° - 90° - 0°)  
 Blade edge angle: 30° and 60°  
 Mass: 260 g

## Bevel Protractor SERIES 187

- Consists of three sheets of stainless steel, the middle one of which is made for angle measurements.

### SPECIFICATIONS

Order No.	Blade length	Remarks
187-201	137 mm	w/60°, 30° edges

