

### Accessories for 215-156-10

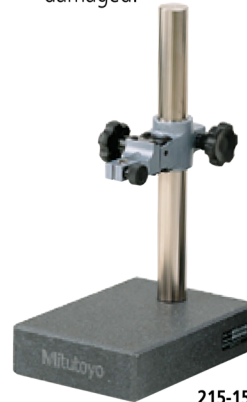
- 21JAA329: ø8 mm bush (standard accessory)
- 21JAA330: ø9.53 mm (3/8 in) bush (standard accessory)
- 21JAA331: ø15 mm bush (optional accessory)

## SERIES 215 — Granite Base Comparator Stands

- The base is made of black granite that stays free of burrs and build-ups due to its fine-grain composition.
- Easy maintenance due to the non-rusting base.
- Since the fine-grained stone surface plate is less viscid than the cast iron, burrs or warp will not be generated. Therefore, flatness is assured and the workpiece will not be damaged.



215-150-10



215-151-10



215-153-10



215-156-10

### SPECIFICATIONS

| Order No.  | Granite base size (WxDxH) (mm) | Clamping range (mm) | Stem hole (mm) | Remarks                                 |
|------------|--------------------------------|---------------------|----------------|---|
| 215-150-10 | 120x180x50                     | 110                 | ø8, ø9.53      | With fine adjustment of 1 mm range      |
| 215-151-10 | 150x200x50                     | 250                 | ø8, ø9.53      | With fine adjustment of 1 mm range      |
| 215-153-10 | 200x250x80                     | 260                 | ø8, ø9.53      | With fine adjustment of 1 mm range      |
| 215-156-10 | 300x250x80                     | 275                 | ø8, ø9.53, ø20 | With fine adjustment over entire travel |

Note 1: Perpendicularity of the stem hole to the anvil is better than 0.2 mm/100 mm.

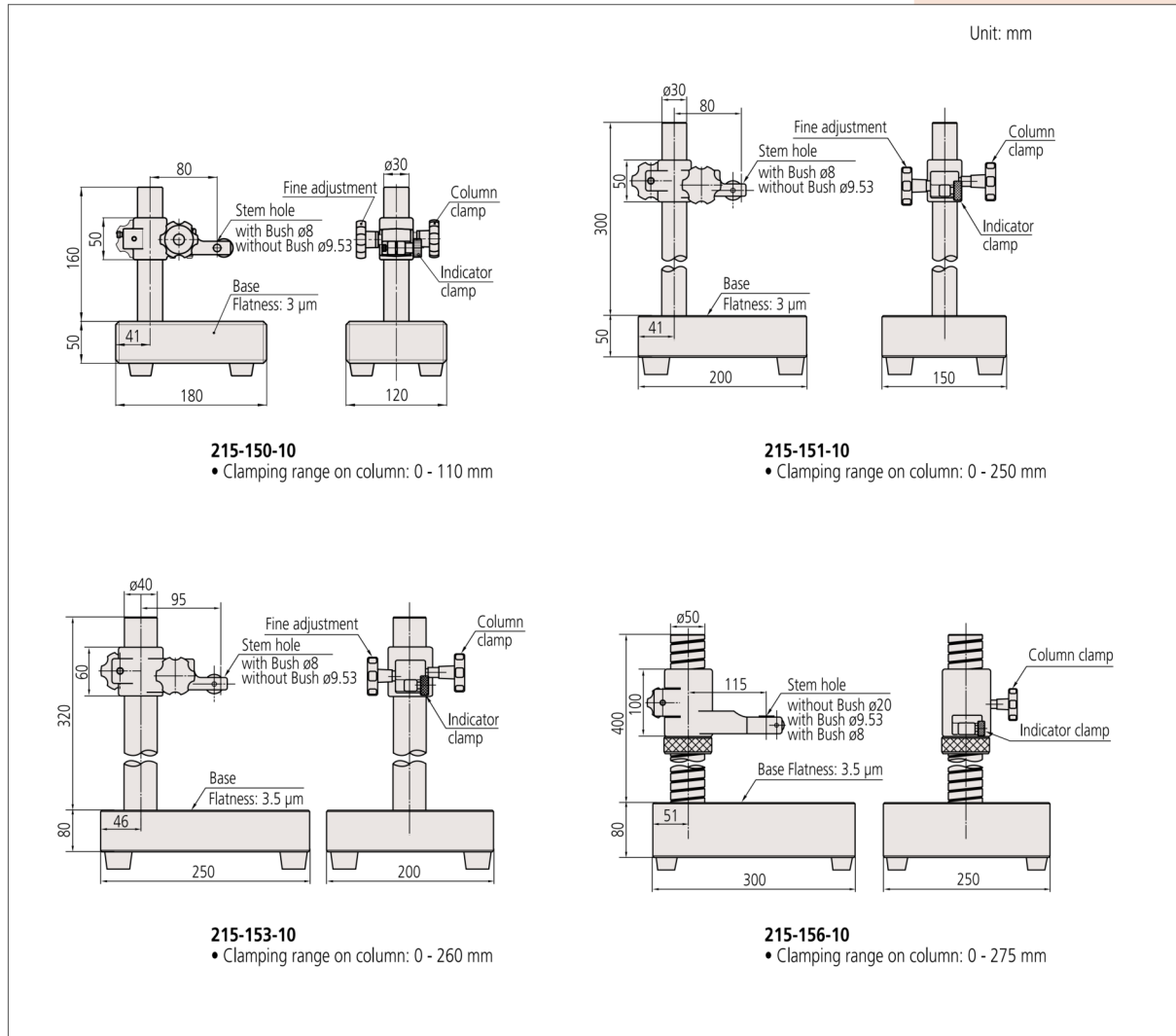
Note 2: Take note that when mounting high-accuracy Linear Gages (with resolution of 0.1 μm or less) to these stands, accuracy may be affected depending on the perpendicularity of the mounting hole to the top surface of the anvils.

Note 3: Compact dial indicators (bezel ø31, ø36) are not suitable for use with these stands.

# Stands

Comparison measuring instruments which ensure high quality, high accuracy and reliability.

## DIMENSIONS



**215-150-10**

• Clamping range on column: 0 - 110 mm

**215-151-10**

• Clamping range on column: 0 - 250 mm

**215-153-10**

• Clamping range on column: 0 - 260 mm

**215-156-10**

• Clamping range on column: 0 - 275 mm

## SERIES 215 — Cast Iron Base Comparator Stands



Application example using Digimatic Indicator ID-H.

- These stands have a very stable cast-iron base that enables precise measurement.
- The semi-serrated anvil prevents very flat workpieces from wringing to it and the 2.3  $\mu\text{m}$  flatness (or better) promotes accurate measurement.
- The **215-505-10** model has a threaded column which enables easy and precise coarse adjustment.
- The hardened and lapped steel anvil is 110 mm or 150 mm square, according to model.



### SPECIFICATIONS

| Order No.         | Square anvil size (WxD) (mm) | Clamping range (mm) | Stem hole (mm)                                    | Remarks                                |
|-------------------|------------------------------|---------------------|---|--|
| <b>215-405-10</b> | 110x110                      | 235                 | $\varnothing 8, \varnothing 9.53$                 | With fine adjustment of 1 mm range     |
| <b>215-505-10</b> | 150x150                      | 275                 | $\varnothing 8, \varnothing 9.53, \varnothing 20$ | With fine adjustment over entire range |

Note 1: Perpendicularity of the stem hole to the anvil is better than 0.4 mm/100 mm.

Note 2: Take note that when mounting high-accuracy Linear Gages (with resolution of 0.1  $\mu\text{m}$  or less) to these stands, accuracy may be affected depending on the perpendicularity of the mounting hole to the top surface of the anvils.

Note 3: Compact dial indicators (bezel  $\varnothing 31, \varnothing 36$ ) are not suitable for use with these stands.

### Accessories for 215-505-10

- **21JAA329**:  $\varnothing 8$  mm bush (standard accessory)
- **21JAA330**:  $\varnothing 9.53$  mm (3/8 in) bush (standard accessory)
- **21JAA331**:  $\varnothing 15$  mm bush (optional accessory)

### DIMENSIONS

