

4

Depth Gauge

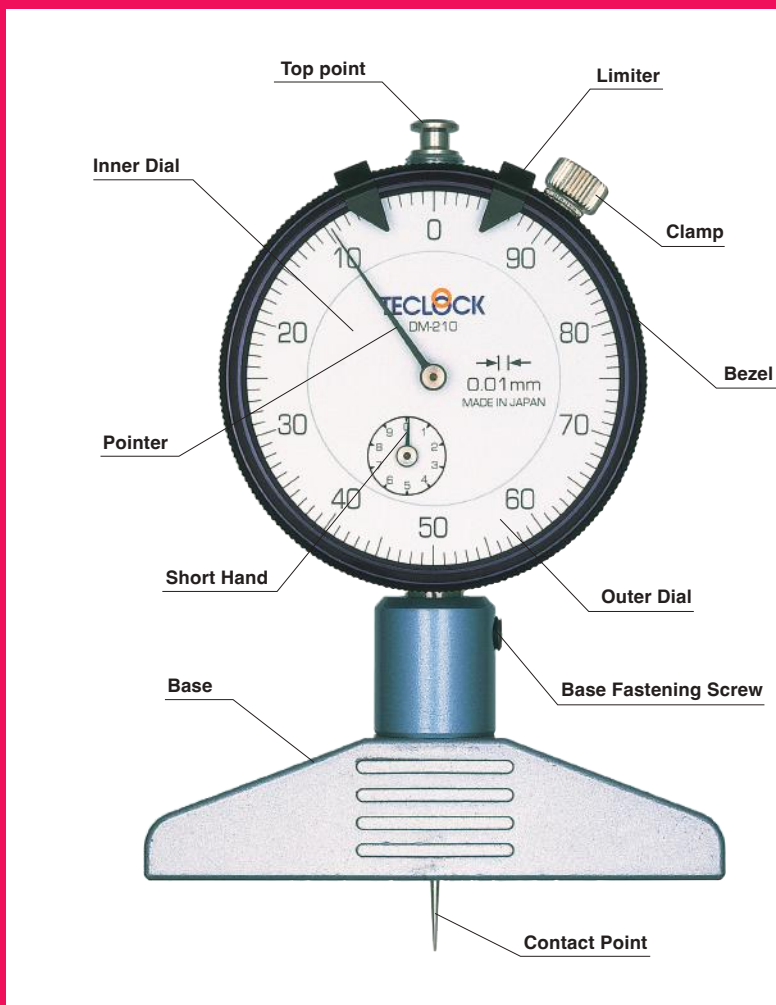
High-precision measurement for depth of holes, grooves and steps

This is an exclusive instrument which measures steps and depth of work piece by hand. Setting "0" by sticking bottom face to measuring basics (zero point) and rotating bezel. (Bezel is fixed by clamp at that time.) Then, it reads with short hand and pointer how contact point is salient from that position.

Analog and Digital models are available and they correspond to usage of shape of contact point and basic size. There are such standard models of stroke of 10mm, 20mm and 30mm and it can comparatively measure depth of 220mm to 240mm by connecting extension rods.



Measuring the concavity depth in work piece of which center is bored. The photo shows 2.03 mm.



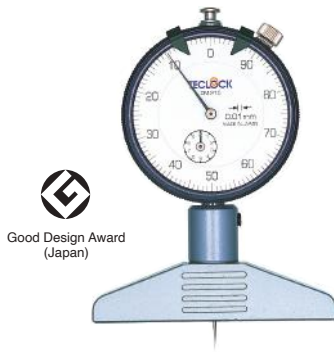
Dial Depth Gauge	80~82
Dial Depth Gauge (Special Model)	
Back plunger type/Round Base type/	
Measurement for printed circuit board/	
Coating Thickness Gauge/Gauge Slide type/	
P Series (0.1mm type)	82~84

Conventional Digital Depth Gauge	84-85
Standard Digital Depth Gauge	86-87
Bluetooth Digital Depth Gauge	88~91
Parts & Accessories	92
Depth Gauge by Contact Point List	92

Dial Depth Gauge

- Dial Depth Gauge can be used to measure depth and steps of work piece and coating thickness.
- 5-240mm range (with the supplied extension rods) are available for wide application.
- Special order is applicable for contact point and base.
- Low measuring force type is also available, which seldom hurts work piece.
- Lifting lever (Option) can be mounted.

Measuring Range:10mm



DM-210
Needle Contact Point



DM-211
φ2 Flat Contact Point



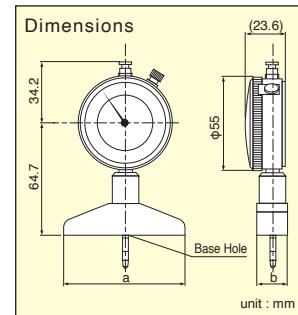
DM-213
φ2 Ball Contact Point
·Extension rods options



DM-214
Possible depth measurement of up to 220mm
-with 5-Extension rods

Dimensions Table

Model	Base Form a×b	Base Hole Diameter
DM-210	75×16	2.5
DM-211	75×16	2.5
DM-213	75×16	5.2
DM-214	100×16	5.2



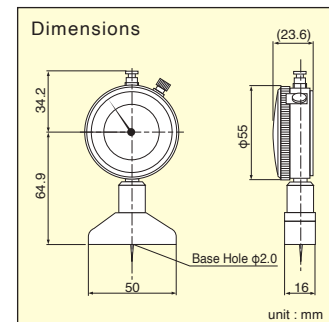
Specifications ※Measuring Range : () value is a range by using 5pcs extension rods.

Model	Graduation (mm)	Measuring Range (mm)	Indication Error(μm)	Contact Point Form (mm)	Standard Contact Point	Measuring Force(N)	Weight (g)	Old Model	Suggested List Price
DM-210	0.01	10	±12	Needle	ZS-523	1.4 or less	240	DM-204	18,810 JPY
DM-211	0.01	10	±12	φ2 Flat	ZS-530	1.4 or less	240	—	18,810 JPY
DM-213	0.01	10	±12	φ3.2 Steel Ball	ZS-034	1.4 or less	240	—	18,810 JPY
DM-214	0.01	10(220)	±12	φ3.2 Steel Ball	ZS-034	2.5 or less	335	—	26,620 JPY

Measuring Range:5mm



DM-250
Small type



Specifications

Model	Graduation (mm)	Measuring Range (mm)	Indication Error(μm)	Contact Point Form (mm)	Standard Contact Point	Measuring Force(N)	Weight (g)	Old Model	Suggested List Price
DM-250	0.01	5	±10	Needle	ZS-518	1.4 or less	2305	DM-205	18,480 JPY



Measuring Range:20mm



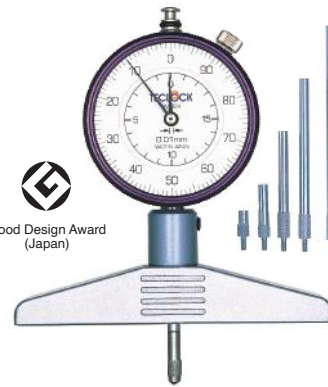
DM-220
Needle Contact Point



DM-221
φ2 Flat Contact Point



DM-223
φ2 Ball Contact Point



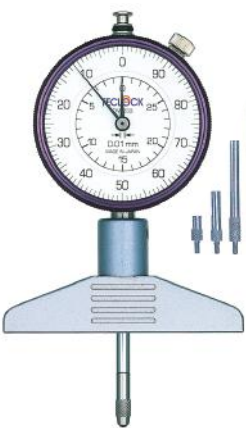
Good Design Award (Japan)

DM-224
Possible depth measurement of up to 230mm
·with 5-Extension rods

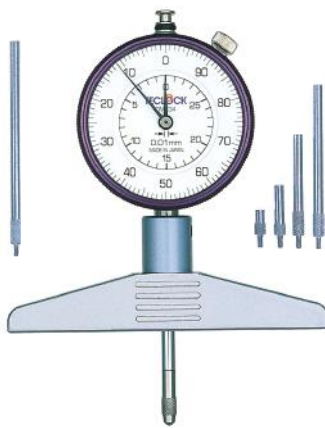
Measuring Range:30mm



DM-230
Needle Contact Point



DM-233
Possible depth measurement of up to 240mm
·with 5-Extension rods

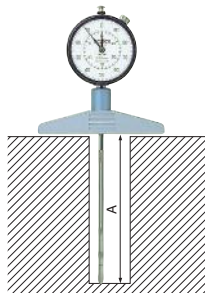
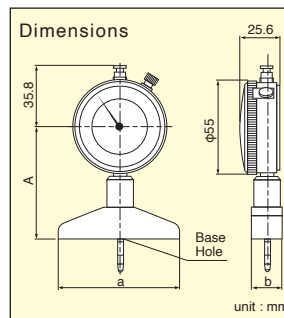


DM-234
Possible depth measurement of up to 240mm
·with 5-Extension rods

Dimensions Table

Model	A	Base Form axb	Base Hole Diameter
DM-220	84.7	75x16	2.5
DM-221	84.7	75x16	2.5
DM-223	64.7	75x16	5.2
DM-224	64.7	100x16	5.2
DM-230	84.7	75x16	2.5
DM-233	64.7	75x16	5.2
DM-234	64.7	100x16	5.2

unit : mm



Specifications ※Measuring Range : () value is a range by using 5pcs extension rods.

Model	Graduation (mm)	Measuring Range(mm)	Indication Error(μm)	Contact Point Form(mm)	Standard Contact Point	Measuring Force(N)	Weight (g)	Old Model	Suggested List Price
DM-220	0.01	20	±15	Needle	ZS-543	2.2 or less	300	DM-234	20,570 JPY
DM-221	0.01	20	±15	φ2 Flat	ZS-541	2.2 or less	300	—	20,570 JPY
DM-223	0.01	20	±15	φ3.2 Steel Ball	ZS-034	2.2 or less	275	DM-201D	20,570 JPY
DM-224	0.01	20(230)	±15	φ3.2 Steel Ball	ZS-034	2.5 or less	340	DM-202D	31,460 JPY
DM-230	0.01	30	±35	Needle	ZS-543	2.5 or less	315	DM-249	24,860 JPY
DM-233	0.01	30(240)	±35	φ3.2 Steel Ball	ZS-034	2.5 or less	315	DM-248	26,620 JPY
DM-234	0.01	30(240)	±35	φ3.2 Steel Ball	ZS-034	2.5 or less	355	—	28,490 JPY

Depth Gauge with Extension Rods

When all of 5 extension rods of depth gauge with extension rods are connected, it can measure the dimension of deep concavity part of bottom. (Standard dimension set up with master gauge is necessary).

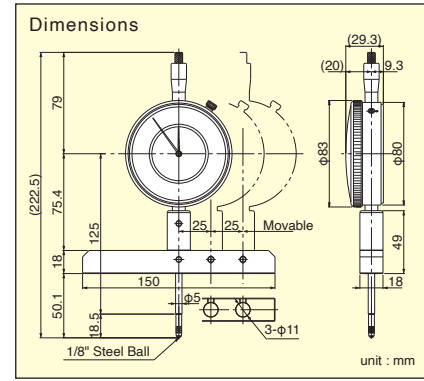
- A dimension : Measuring range 10mm Depth Gauge : up to maximum 220mm
- Measuring range 20mm Depth Gauge : up to maximum 230mm
- Measuring range 30mm Depth Gauge : up to maximum 240mm

Measuring Range:50mm

- A large sized depth gauge measurable 0-50mm (actual dimension) depth directly without any extension rod.
- The dial part is a type movable by inserting it into one of 3 holes.

DM-295

·Base Length 150mm



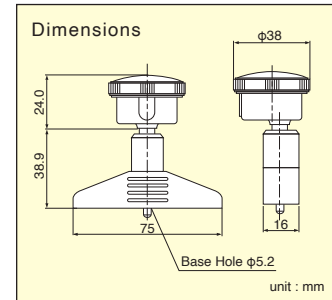
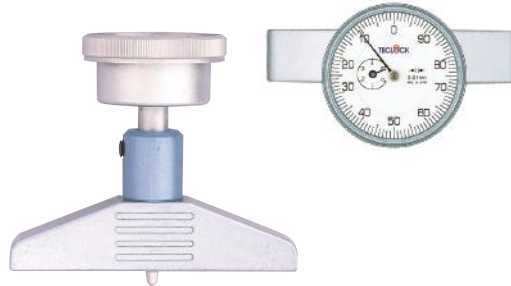
Specifications

Model	Graduation (mm)	Measuring Range (mm)	Indication Error(μm)	Contact Point Form (mm)	Standard Contact Point	Measuring Force (N)	Weight (g)	Old Model	Suggested List Price
DM-295	0.01	50	±50	φ3.2 Steel Ball	ZS-116	2.5 or less	750	—	58,080 JPY

Dial Depth Gauge (Special)

Back plunger type

DM-273



Specifications

Model	Graduation (mm)	Measuring Range (mm)	Indication Error(μm)	Contact Point Form (mm)	Standard Contact Point	Measuring Force (N)	Weight (g)	Suggested List Price
DM-273	0.01	5	±10	φ3.2 Steel Ball	ZS-105	1.4 or less	210	29,700 JPY

Round Base type



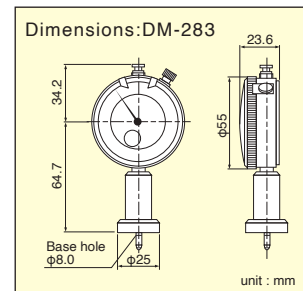
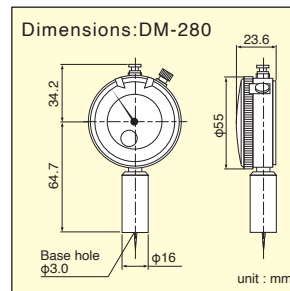
DM-280

·Base form φ16mm



DM-283

·Base form φ25mm



Specifications

Model	Graduation (mm)	Measuring Range (mm)	Indication Error(μm)	Contact Point Form (mm)	Standard Contact Point	Measuring Force (N)	Weight (g)	Suggested List Price
DM-280	0.01	10	±12	Needle	ZS-523	1.4 or less	175	12,320 JPY
DM-283	0.01	10	±12	φ3.2 Steel Ball	ZS-034	1.4 or less	185	12,320 JPY



Measurement for printed circuit board



V-Grooved depth measurement of Print circuit board by using DM-251.

DM-251

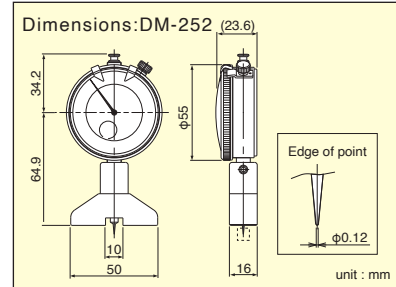
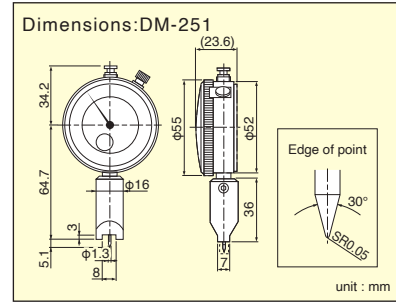
Exclusive instrument to measure depth of V-groove of print circuit board.

DM-252

Convex-concave surface can be measured.

Specifications

Model	Graduation (mm)	Measuring Range(mm)	Indication Error(μm)	Contact Point Form(mm)	Standard Contact Point	Measuring Force(N)	Weight (g)	Suggested List Price
DM-251	0.01	5	±10	Special Needle	ZS-106	1.4 or less	165	40,700 JPY
DM-252	0.01	Concave 5mm Convex 4mm	±10	Needle	ZS-595	1.4 or less	195	26,620 JPY



Coating Thickness Gauge

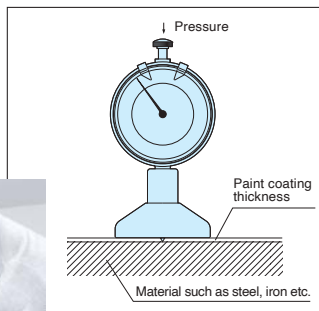
- Exclusive instrument to measure coating thickness of paint, coating materials and sealing materials.
- Handy type and operation is easy.



DM-264
Small-based handy type



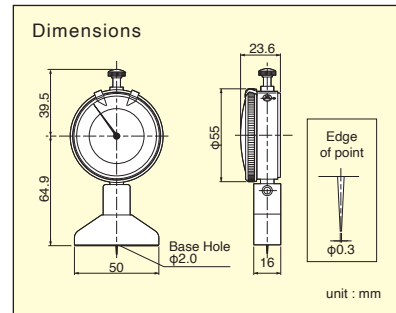
Thickness measurement of painted film waterproof stuff (measuring by pressurization)



When top point is pressurized, needle contact point penetrates into painted film and stops at basic material. The penetrating length is thickness of film.

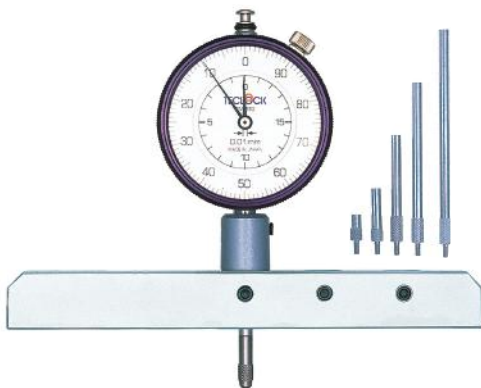
Specifications

Model	Graduation (mm)	Measuring Range(mm)	Indication Error(μm)	Contact Point Form(mm)	Standard Contact Point	Measuring Force(N)	Weight (g)	Suggested List Price
DM-264	0.01	5	±10	Needle	ZS-518	1.4 or less	230	19,690 JPY



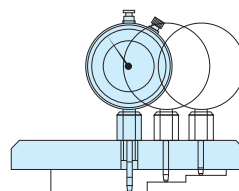
Gauge Slide type

- Steps measurement can be easily made by moving the gauge to 3 mounting holes.



DM-293

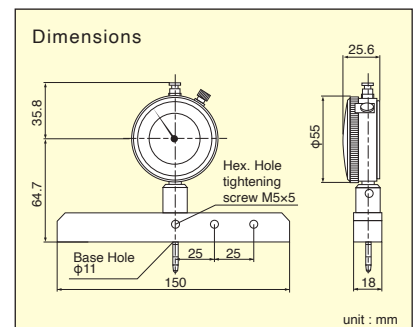
•With 5-Extension rods



Dial indicator can be moved to 3 points.

Specifications *Measuring Range : () value is a Range by using 5pcs extension rods.

Model	Graduation (mm)	Measuring Range(mm)	Indication Error(μm)	Contact Point Form(mm)	Standard Contact Point	Measuring Force(N)	Weight (g)	Suggested List Price
DM-293	0.01	20(230)	±15	φ3.2 Steel Ball	ZS-034	2.5 or less	510	30,250 JPY



- **P Series (0.1mm type)**
 - This is direct reading specification of which graduation are 0.1-0.9mm.
 - 1-10mm can be read by short hand and figure below can be read by pointer. It prevents misreading.



DM-210P
Standard Base Model

- Measuring Range 10mm
- Needle Contact point

DM-250P
Small Base Model

- Measuring Range 5mm
- $\phi 2$ Flat Contact Point

DM-223P
Long Stroke Model

- Measuring Range 20mm
- $\phi 3.2$ Ball Contact Point

DM-224P
Long Base Model

- Measuring Range 230mm
- With 5-Extension rods
- $\phi 3.2$ Ball Contact Point

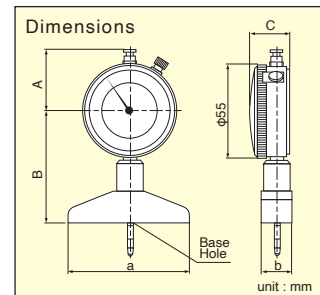
exp. 3.18mm of direct reading.



Dimension Table

Model	A	B	C	Base Form a x b	Base Hole Diameter
DM-210P	34.2	64.7	23.6	75x16	2.5
DM-250P	34.2	64.9	23.6	50x16	2.0
DM-223P	35.8	64.7	25.6	75x16	5.2
DM-224P	35.8	64.7	25.6	100x16	5.2

unit : mm



Specifications *Measuring Range : () value is a Range by using 5pcs extension rods.

Model	Graduation (mm)	Measuring Range (mm)	Indication Error (μ m)	Contact Point Form (mm)	Standard Contact Point	Measuring Force (N)	Weight (g)	Old Model	Suggested List Price
DM-210P	0.01	10	± 12	Needle	ZS-523	1.4 or less	240	DM-204P	18,810 JPY
DM-250P	0.01	5	± 10	Needle	ZS-518	1.4 or less	230	—	18,480 JPY
DM-223P	0.01	20	± 15	$\phi 3.2$ Steel Ball	ZS-034	2.2 or less	275	DM-201DP	20,570 JPY
DM-224P	0.01	20(230)	± 15	$\phi 3.2$ Steel Ball	ZS-034	2.5 or less	340	DM-202DP	31,460 JPY

Conventional Digital Depth Gauge

- Digital Exclusive instrument to measure depth and steps of work piece.
- Low cost and conventional model of which preset function is deleted from standard digital depth gauges.
- Operation is equal to standard digital depth gauges, but it

can not measure by installing extension rods. In case that measuring range is over 10mm, please use standard digital depth gauges.

- Printing out of measured data and statistics arithmetic operation can be implemented by connecting it to optional Digital mini-printer SD-763P shown on page 86.

■ Resolution : 0.01mm



DMD-210S2
Needle Contact Point

- Measuring Range 12mm

DMD-211S2
 $\phi 2$ Flat Needle Contact Point

- Measuring Range 12mm

DMD-213S2
 $\phi 3.2$ Steel Ball Contact Point

- Measuring Range 12mm

DMD-250S2
Small Base Model

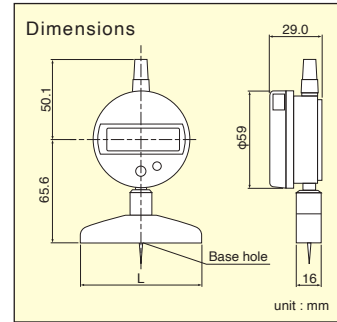
- Measuring Range 5mm



DMD-252S2
 Measurement for Printed
 Circuit Board
 ·Measuring Range Concave 5mm
 Convex 4mm

Dimension Table

Model	Base Hole Diameter	L
DMD-210S2	2.5	75
DMD-211S2	2.5	75
DMD-213S2	5.2	75
DMD-250S2	2.0	50
DMD-252S2	8.0	50



Specifications

Model	Resolution (mm)	Measuring Range (mm)	Indication Error(μm)	Contact Point Form (or shape) (mm)	Standard Contact Point	Measuring Force (N)	Weight (g)	Suggested List Price
DMD-210S2	0.01	12	±20	Needle	ZS-523	2.0 or less	280	33,660 JPY
DMD-211S2	0.01	12	±20	φ2 Flat	ZS-530	2.0 or less	270	33,660 JPY
DMD-213S2	0.01	12	±20	φ3.2 Steel Ball	ZS-034	2.0 or less	270	33,660 JPY
DMD-250S2	0.01	5	±20	Needle	ZS-518	2.0 or less	205	36,080 JPY
DMD-252S2	0.01	Concave 5, Convex 4	±20	Needle	ZS-595	2.0 or less	200	39,710 JPY

Resolution : 0.001mm



DMD-2100S2
 Needle Contact Point
 ·Measuring Range 12mm



DMD-2110S2
 φ2 Flat Needle
 Contact Point
 ·Measuring Range 12mm



DMD-2130S2
 φ3.2 Steel Ball
 Contact Point
 ·Measuring Range 12mm



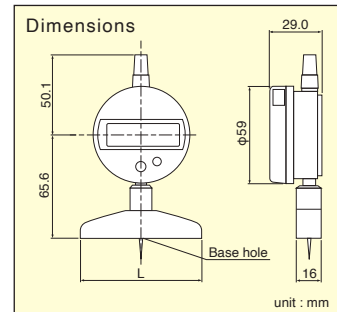
DMD-2500S2
 Small Base Model
 ·Measuring Range 5mm



DMD-2520S2
 Measurement for Printed
 Circuit Board
 ·Measuring Range Concave 5mm
 Convex 4mm

Dimension Table

Model	Base Hole Diameter	L
DMD-2100S2	2.5	75
DMD-2110S2	2.5	75
DMD-2130S2	5.2	75
DMD-2500S2	2.0	50
DMD-2520S2	8.0	50



Specifications

Model	Resolution (mm)	Measuring Range (mm)	Indication Error(μm)	Contact Point Form (or shape) (mm)	Standard Contact Point	Measuring Force (N)	Weight (g)	Suggested List Price
DMD-2100S2	0.001	12	±5	Needle	ZS-523	2.0 or less	300	48,400 JPY
DMD-2110S2	0.001	12	±5	φ2 Flat	ZS-530	2.0 or less	300	48,400 JPY
DMD-2130S2	0.001	12	±5	φ3.2 Steel Ball	ZS-034	2.0 or less	300	48,400 JPY
DMD-2500S2	0.001	5	±5	Needle	ZS-518	2.0 or less	235	50,820 JPY
DMD-2520S2	0.001	Concave 5, Convex 4	±5	Needle	ZS-595	2.0 or less	230	53,240 JPY

Standard Digital Depth Gauge

- Digital Depth Gauge can be used for direct measuring depth and steps of work piece.
- Printing out of measured data and statistics arithmetic operation can be implemented by connecting it to optional Digital mini-printer SD-763P shown on page 52.
- Extension rods can be used by Preset function. (Expect DMD-210A, DMD-211A, DMD-240A, DMD-2100A, and DMD-240A).

Resolution : 0.01mm



DMD-210A
Needle Contact Point
·Measuring Range 12mm



DMD-211A
φ2 Flat Needle Contact Point
·Measuring Range 12mm



DMD-213A
φ3.2 Steel Ball Contact Point
·Measuring Range 12mm



DMD-214A
φ3.2 Steel Ball Contact Point
·Measuring Range 220mm
·With 5-Extension rods

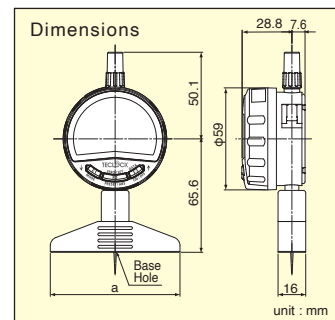


DMD-215A
Large Base Model
·Measuring Range 220mm
·With 5-Extension rods

Dimension Table

Model	Base form a×b	Base Hole Diameter
DMD-210A	75×16	2.5
DMD-211A	75×16	2.5
DMD-213A	75×16	5.2
DMD-214A	75×16	5.2
DMD-215A	100×16	5.2

unit : mm



Specifications *Measuring Range : () value is a Range by using 5pcs extension rods.

Model	Resolution (mm)	Measuring Range(mm)	Indication Error(μm)	Contact Point Form (or shape) (mm)	Standard Contact Point	Measuring Force (N)	Weight (g)	Old Model	Suggested List Price
DMD-210A	0.01	12	±20	Needle	ZS-523	1.0 or less	310	DMD-204	36,520 JPY
DMD-211A	0.01	12	±20	φ2 Flat	ZS-530	1.0 or less	310	DMD-216	36,520 JPY
DMD-213A	0.01	12	±20	φ3.2 Steel Ball	ZS-034	1.0 or less	310	DMD-218	36,520 JPY
DMD-214A	0.01	12(220)	±20	φ3.2 Steel Ball	ZS-034	2.3 or less	335	—	39,930 JPY
DMD-215A	0.01	12(220)	±20	φ3.2 Steel Ball	ZS-034	2.3 or less	375	DMD-291	40,920 JPY



DMD-240A
Needle Contact Point
·Measuring Range 25.4mm

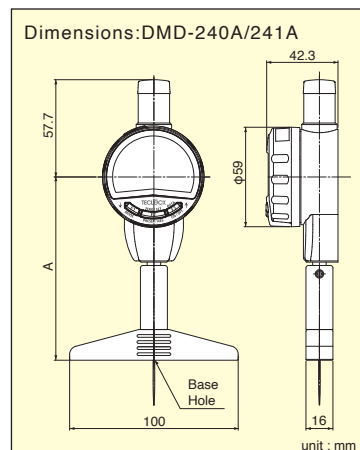


DMD-241A
φ3.2 Steel Ball Contact Point
·Measuring Range 25.4mm

Dimension Table

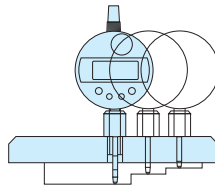
Model	A	Base Hole Diameter
DMD-240A	108.7	2.5
DMD-241A	88.7	5.2

unit : mm



Specifications

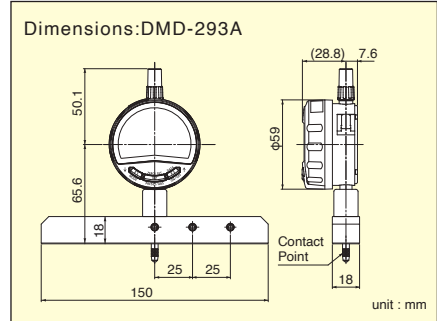
Model	Resolution (mm)	Measuring Range(mm)	Indication Error(μm)	Contact Point Form (or shape) (mm)	Standard Contact Point	Measuring Force (N)	Weight (g)	Suggested List Price
DMD-240A	0.01	25.4	±20	Needle	ZS-113	1.6 or less	390	82,280 JPY
DMD-241A	0.01	25.4	±20	φ3.2 Steel Ball	ZS-600	1.6 or less	370	82,280 JPY



Digital indicator can be moved to 3 positions.

DMD-293A

Measuring Range 220mm
·With 5-Extension rods



Specifications ※Measuring Range : () value is a Range by using 5pcs extension rods.

Model	Resolution (mm)	Measuring Range(mm)	Indication Error(μm)	Contact Point Form (or shape) (mm)	Standard Contact Point	Measuring Force (N)	Weight (g)	Suggested List Price
DMD-293A	0.01	12(220)	±20	φ3.2 Steel Ball	ZS-034	2.3 or less	545	58,080 JPY

Resolution : 0.001mm



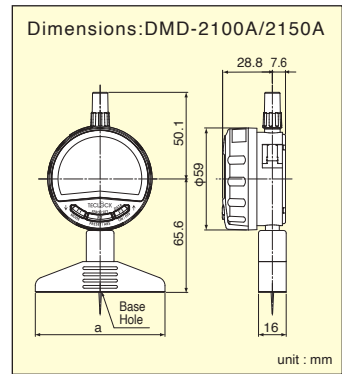
DMD-2100A

Needle Contact Point
·Measuring Range 12mm



DMD-2150A

φ3.2 Steel Ball Contact Point
·Measuring Range 220mm
·With 5-Extension rods



Dimension Table

Model	Base form axb	Base Hole Diameter
DMD-2100A	75x16	2.5
DMD-2150A	100x16	5.2

unit : mm



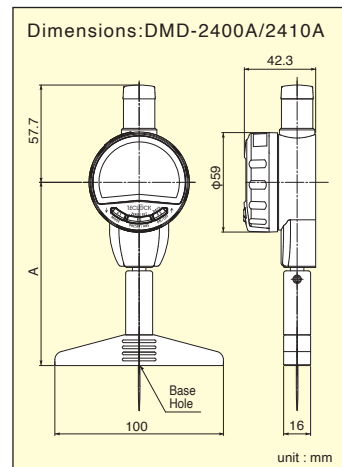
DMD-2400A

Needle Contact Point
·Measuring Range 25.4mm



DMD-2410A

φ3.2 Steel Ball Contact Point
·Measuring Range 25.4mm



Dimension Table

Model	A	Base Hole Diameter
DMD-2400A	108.7	2.5
DMD-2410A	88.7	5.2

unit : mm

Specifications ※Measuring Range : () value is a Range by using 5pcs extension rods.

Model	Resolution (mm)	Measuring Range (mm)	Indication Error(μm)	Contact Point Form (or shape) (mm)	Standard Contact Point	Measuring Force (N)	Weight (g)	Suggested List Price
DMD-2100A	0.001	12	±5	Needle	ZS-523	1.0 or less	310	61,710 JPY
DMD-2150A	0.001	12(220)	±5	φ3.2 Steel Ball	ZS-034	2.3 or less	375	63,910 JPY
DMD-2400A	0.001	25.4	±5	Needle	ZS-113	1.6 or less	390	106,480 JPY
DMD-2410A	0.001	25.4	±5	φ3.2 Steel Ball	ZS-600	1.6 or less	370	106,480 JPY

Bluetooth Digital Depth Gauge

NEW

Compact Series

Features

- Easy measurement of depth and steps in a work piece.
- Compact model with Mini indicator.
- IP67.
- One-touch data sending to PC by built-in Bluetooth.
- Data management by SmartMeasure® Lite (free).



SSD-210
Needle Contact Point



SSD-211
φ2 Flat Needle Contact Point



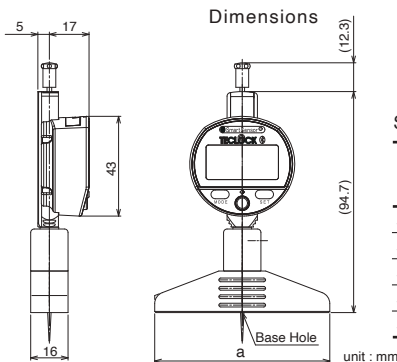
SSD-213
φ3.2 Steel Ball Contact Point



SSD-214
With 5-Extension rods



SSD-215
Large Base · With Extension rods



Specifications *Measuring Range:()value is Range by using 5pcs extension rods.

Model	Resolution (mm)	Measuring Range (mm)	Indication Error (μm)	Contact Point Form(mm)	Extension rods	Base Shape (mm)	Base Hole Diameter (mm)	Weight (g)	Suggested List Price
SSD-210	0.01	12	±20	Needle	—	75×16	φ2.5	214	82,100 JPY
SSD-211	0.01	12	±20	φ2Flat	—	75×16	φ5.2	214	82,100 JPY
SSD-213	0.01	12	±20	φ3.2 Steel Ball	—	75×16	φ5.2	214	82,100 JPY
SSD-214	0.01	12(220)	±20	φ3.2 Steel Ball	5	75×16	φ5.2	239	84,400 JPY
SSD-215	0.01	12(220)	±20	φ3.2 Steel Ball	5	100×16	φ5.2	279	84,400 JPY

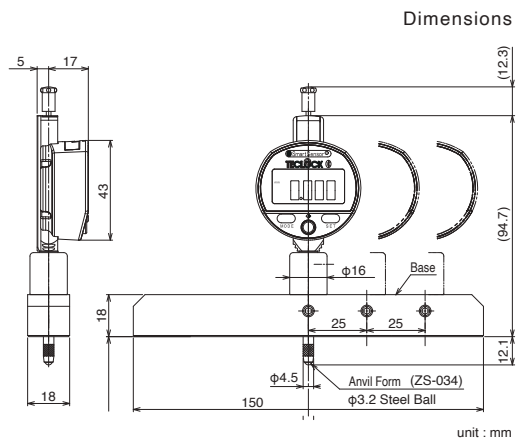
Gauge Slide type

Features

- Easy measurement of depth and steps in a work piece.
- Can be moved to 3 positions.
- IP67.
- One-touch data sending to PC by built-in Bluetooth.
- Data management by SmartMeasure® Lite (free).



SSD-293
Base Length 150mm
With 5-Extension rods



Specifications *Measuring Range:()value is Range by using 5pcs extension rods.

Model	Resolution (mm)	Measuring Range (mm)	Indication Error (μm)	Contact Point Form(mm)	Extension rods	Base Shape (mm)	Base Hole Diameter (mm)	Weight (g)	Suggested List Price
SSD-293	0.01	12(220)	±20	φ3.2 Steel Ball	5	150×18	φ11.0	450	113,200 JPY



Small Base type Compact Series

Features

- Easy measurement of depth and steps in a work piece.
- Measurement for printed circuit board.
- Compact model with Mini indicator.
- IP67.
- One-touch data sending to PC by built-in Bluetooth.
- Data management by SmartMeasure® Lite (free).



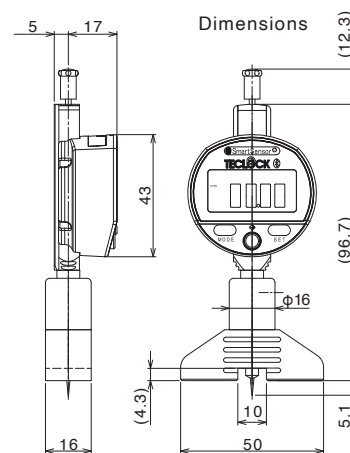
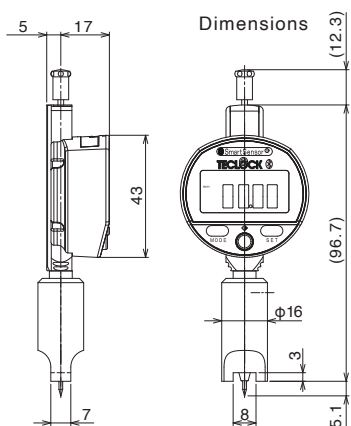
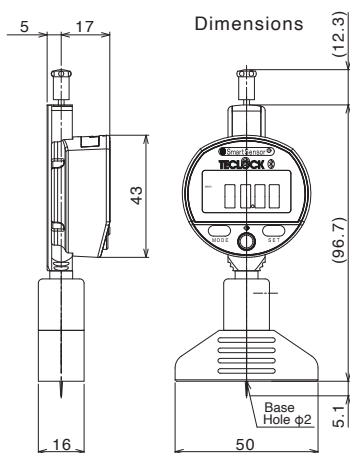
SSD-250
Needle Contact Point



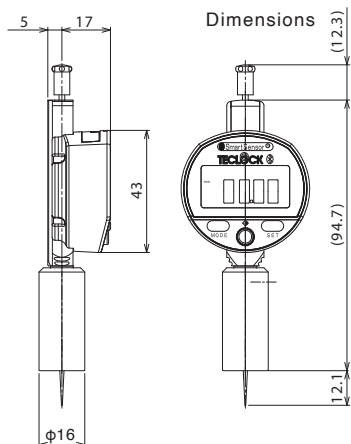
SSD-251
V-groove of print circuit board



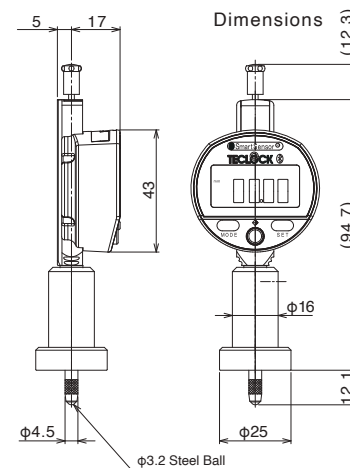
SSD-252
Measurement for Convex-concave surface



SSD-280
Round Base type
·Base form $\phi 16$ mm



SSD-283
Round Base type
·Base form $\phi 25$ mm



unit : mm

Specifications

Model	Resolution (mm)	Measuring Range(mm)	Indication Error(μ m)	Contact Point Form(mm)	Extension rods	Base Shape(mm)	Base Hole Diameter (mm)	Weight (g)	Suggested List Price
SSD-250	0.01	5	± 20	Needle	—	50x16	$\phi 2.0$	160	85,200 JPY
SSD-251	0.01	5	± 20	Special Needle	—	Special $\phi 16$ Cylinder	Special	130	104,300 JPY
SSD-252	0.01	Concave 5, Convex 4	± 20	Needle	—	50x16	Special	160	85,700 JPY
SSD-280	0.01	12	± 20	Needle	—	$\phi 16$ Cylinder	$\phi 3.0$	140	83,800 JPY
SSD-283	0.01	12	± 20	$\phi 3.2$ Steel Ball	—	$\phi 25$ Cylinder	$\phi 8.0$	150	84,400 JPY

1/1000mm High-precision Compact Series

Features

- Easy measurement of depth and steps in a work piece.
- Compact model with Mini indicator.
- IP67.
- One-touch data sending to PC by built-in Bluetooth.
- Data management by SmartMeasure® Lite (free).



SSD-2100M
Needle



SSD-2110M
φ2 Needle



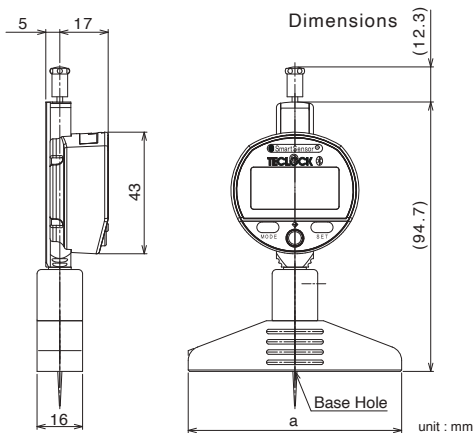
SSD-2130M
φ3.2 Steel Ball



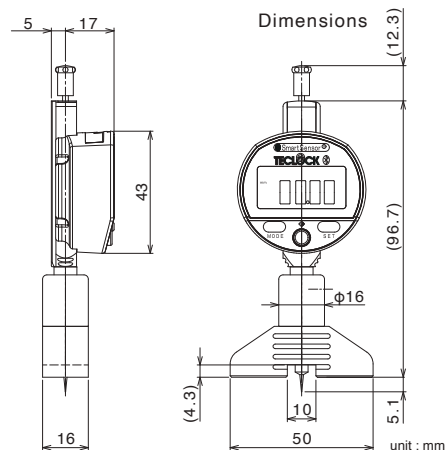
SSD-2500M
Needle



SSD-2520M
Measurement for Convex-concave surface



SSD-2100M, SSD-2110M, SSD-2130M, SSD-2500M



SSD-2520M

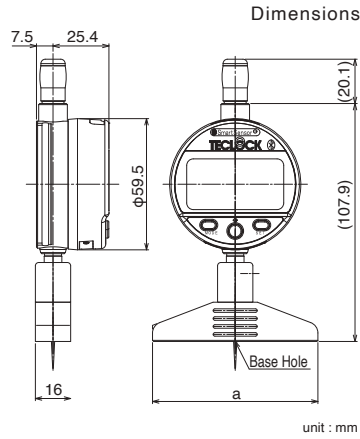
Specifications

Model	Resolution (mm)	Measuring Range(mm)	Indication Error(μm)	Contact Point Form(mm)	Extension rods	Base Shape(mm)	Base Hole Diameter (mm)	Weight (g)	Suggested List Price
SSD-2100M	0.001	12	±6	Needle	—	75×16	φ2.5	214	107,500 JPY
SSD-2110M	0.001	12	±6	φ2 Flat	—	75×16	φ5.2	214	107,500 JPY
SSD-2130M	0.001	12	±6	φ3.2 Steel Ball	—	75×16	φ5.2	214	107,500 JPY
SSD-2500M	0.001	5	±6	Needle	—	50×16	φ2.0	149	108,000 JPY
SSD-2520M	0.001	Concave 5, Convex 4	±6	Needle	—	50×16	φ8.0	144	113,100 JPY

1/1000mm High-precision Standard Series

Features

- Easy measurement of depth and steps in a work piece.
- One-touch data sending to PC by built-in Bluetooth.
- 1/1000mm High-precision model.
- Data management by SmartMeasure® Lite (free).



unit : mm

SSD-2100
Needle



SSD-2150
Large Base
With Extension rods

Specifications ※Measuring Range:()value is Range by using 5pcs extension rods.

Model	Resolution (mm)	Measuring Range(mm)	Indication Error(μm)	Contact Point Form(mm)	Extension rods	Base Shape(mm)	Base Hole Diameter (mm)	Weight (g)	Suggested List Price
SSD-2100	0.001	12	±5	Needle	—	75×16	φ2.5	262	108,600 JPY
SSD-2150	0.001	12(220)	±5	φ3.2 Steel Ball	5	100×16	φ5.2	323	111,800 JPY

25mm Long Stroke Type

Features

- Easy measurement of depth and steps in a work piece.
- One-touch data sending to PC by built-in Bluetooth.
- Compact and Long stroke type.
- Data management by SmartMeasure® Lite (free).
- 1/1000mm High-precision model.

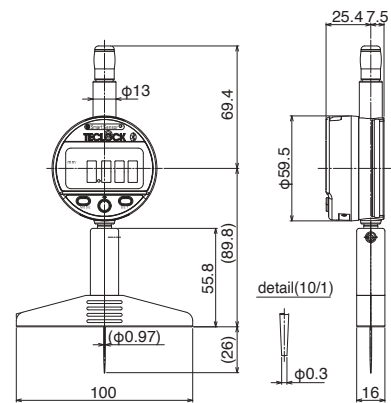


SSD-2400
Needle

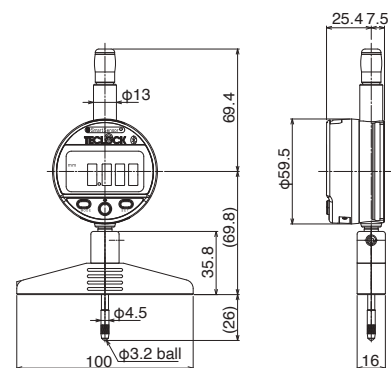


SSD-2410
φ3.2 Steel Ball

Dimensions : SSD-2400



Dimensions : SSD-2410



unit : mm

Specifications

Model	Resolution (mm)	Measuring Range(mm)	Indication Error(μm)	Contact Point Form(mm)	Extension rods	Base Shape(mm)	Base Hole Diameter (mm)	Weight (g)	Suggested List Price
SSD-2400	0.001	25	±6	Needle	—	100×16	φ2.5	327	156,000 JPY
SSD-2410	0.001	25	±6	φ3.2 Steel Ball	—	100×16	φ5.2	307	156,000 JPY

Parts & Accessories

Contact Point

unit : mm

ZS-523

Standard fitmen
DM-210 DM-210P
DM-280 DMD-210A
DMD-2100A DMD-210S2
DMD-2100S2

ZS-105

Standard fitmen DM-273

ZS-518

Standard fitmen
DM-250 DM-250P
DM-264 DMD-250S2
DMD-2500S2

ZS-034

Standard fitmen
DM-213 DM-214 DM-223
DM-223P DM-224 DM-224P
DM-233 DM-234 DM-283
DM-293 DMD-213A DMD-214A
DMD-215A DMD-293A
DMD-2150A DMD-213S2
DMD-2130S2

ZS-543

Standard fitmen DM-220 DM-230

ZS-530

Standard fitmen
DM-211 DMD-211A DMD-211S2

ZS-600

Standard fitmen DMD-241A DMD-2410A

ZS-541

Standard fitmen DM-221

ZS-595

Standard fitmen
DM-252 DMD-252A
DMD-252S2 DMD-2520S2

ZS-113

Standard fitmen DMD-240A DMD-2400A

Extension Rods



ZS-663,664,665,666,670

Code No.	L
ZS-670	10
ZS-663	20
ZS-664	40
ZS-665	60
ZS-666	80

unit : mm

Standard fitmen DM-214 DM-224 DM-224P
DM-233 DM-234 DM-293 DMD-214A
DMD-215A DMD-293A

Depth Gauge by Contact Point List

Model	Base hole diameter	Standard contact point	Mountable contact point	Model	Base hole diameter	Standard contact point	Mountable contact point	Model	Base hole diameter	Standard contact point	Mountable contact point
DM-210	φ2.5	ZS-523	ZS-527 ZS-528 ZS-530	DM-213	φ5.2	ZS-034	ZS-527 ZS-528 ZS-530 ZS-523 ZS-594	DM-251	φ5.2	ZS-106	-
DM-210P				DM-214				DM-252	φ8.0	ZS-595	-
DMD-210S ₂				DM-223				DMD-252S ₂			
DMD-210A				DM-224				DMD-2520S ₂			
DMD-2100S ₂				DM-233				DM-273	φ5.2	ZS-105	-
DMD-2100A				DM-234				DM-280	φ3.0	ZS-523	ZS-527 ZS-528 ZS-530
DM-211	DM-223P										
DMD-211A	DM-224P										
DMD-211S ₂	DM-293										
DMD-2110S ₂	DMD-213S ₂										
	DMD-213A										
	DMD-2130S ₂	DM-283	φ8.0	ZS-034				ZS-527 ZS-528 ZS-530 ZS-523			
	DMD-214A										
	DMD-215A										
	DMD-2150A										
	DMD-293A										
	DM-250										
	DM-250P	φ2.0	ZS-518	-							
	DMD-250S ₂										
	DMD-2500S ₂										
		φ5.2	ZS-600	-							
	DMD-241A										
	DMD-2410A										